

Owner's Manual



INSTALLERS: PLEASE BE SURE TO LEAVE THIS
MANUAL WITH THE OWNER. THANK YOU!

APPLY S/N
STICKER HERE



LIMITED ONE YEAR WARRANTY ON SCREEN INNOVATIONS PRODUCTS

Screen Innovations warrants its products, to the original purchaser only, to be free from defects in materials and workmanship for a period of one (1) year from the date of purchase by the original purchaser provided they are properly operated according to Screen Innovations' instructions and are not damaged due to improper handling or treatment after shipment from the factory.

This warranty does not apply to equipment showing evidence of misuse, abuse, or accidental damage, or which has been tampered with or repaired by a person other than authorized Screen Innovations personnel.

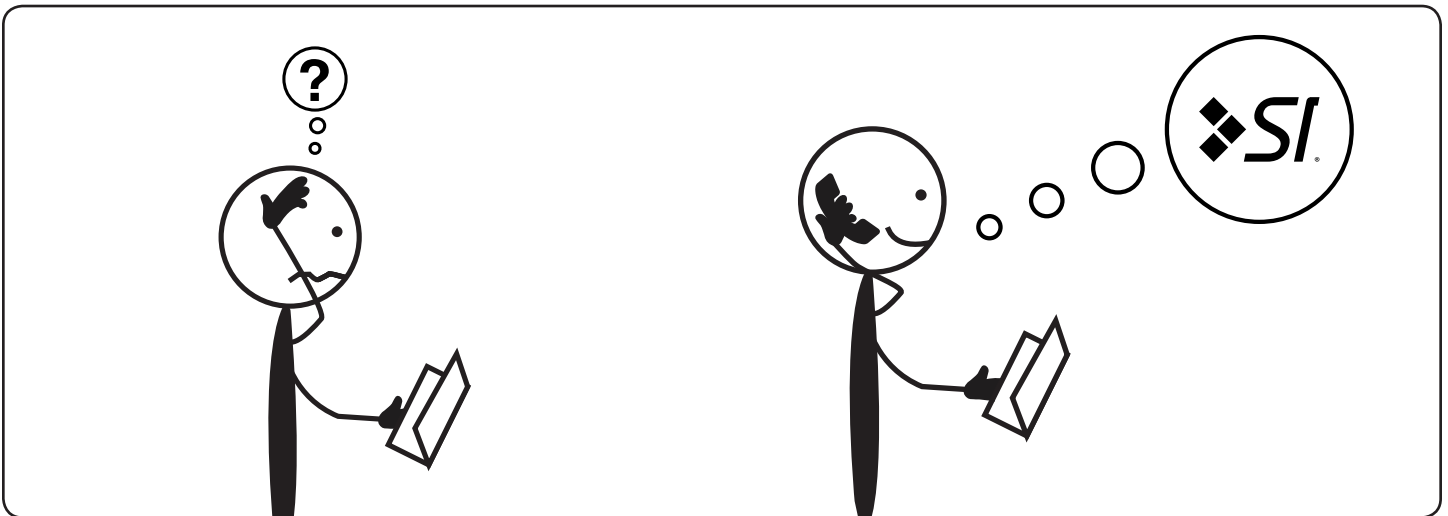
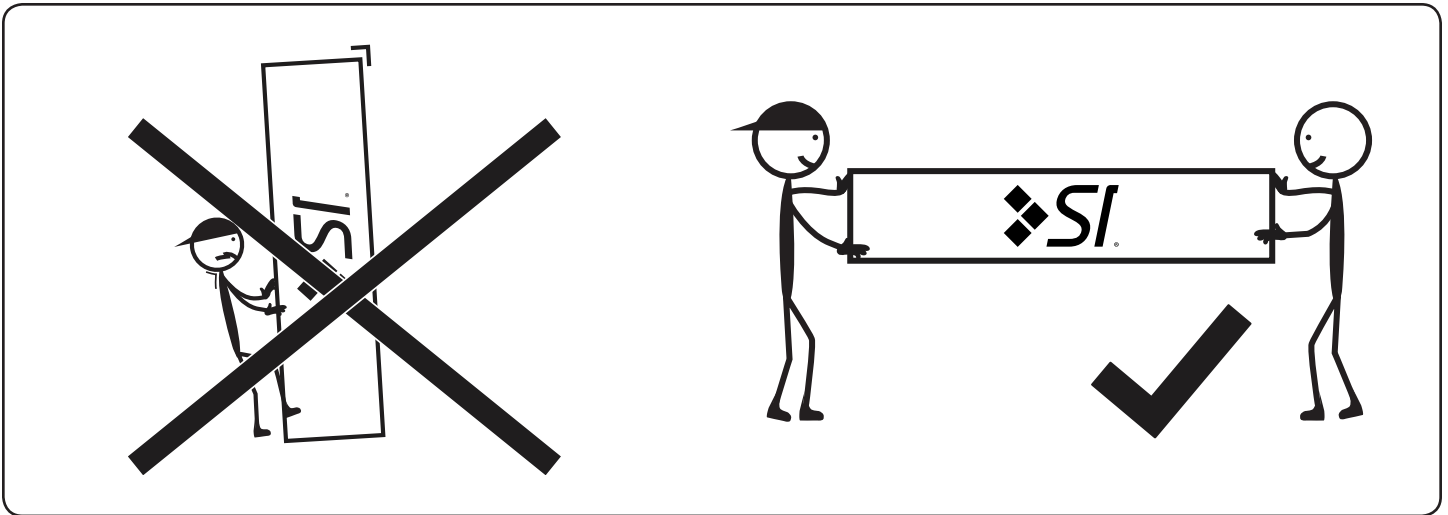
Screen Innovations' sole obligation under this warranty shall be to repair or to replace (at Screen Innovations' option) the defective part of the merchandise. Returns for service should be made to your Screen Innovations' dealer. If it is necessary for the dealer to return the screen or part to Screen Innovations, transportation expenses to and from Screen Innovations are payable by the purchaser and Screen Innovations is not responsible for damage in shipment. To protect yourself against damage or loss in transit, insure the product and prepay all transportation expenses.

THIS WARRANTY IS IN LIEU OF ALL OTHER WARRANTIES, EXPRESS OR IMPLIED, INCLUDING WARRANTIES AS TO FITNESS FOR USE AND MERCHANT ABILITY. Any implied warranties of fitness for use, or merchantability, that may be mandated by statute or rule of law are limited to the one (1) year warranty period. This warranty gives you specific legal rights, and you may also have other rights, which vary from state-to-state. NO LIABILITY IS ASSUMED FOR EXPENSES OR DAMAGES RESULTING FROM INTERRUPTION IN OPERATION OF EQUIPMENT, OR FOR INCIDENTAL, DIRECT, OR CONSEQUENTIAL DAMAGES OF ANY NATURE.

In the event that there is a defect in materials or workmanship of a Screen Innovations product, you may contact our Sales Partners at 9715-B Burnet Road Suite 400, Austin, TX 78758, (512) 832-6939.

IMPORTANT: THIS WARRANTY SHALL NOT BE VALID AND SCREEN INNOVATIONS SHALL NOT BE BOUND BY THIS WARRANTY IF THE PRODUCT IS NOT OPERATED IN ACCORDANCE WITH SCREEN INNOVATIONS' WRITTEN INSTRUCTIONS.

Keep your sales receipt to prove the date of purchase and your original ownership.



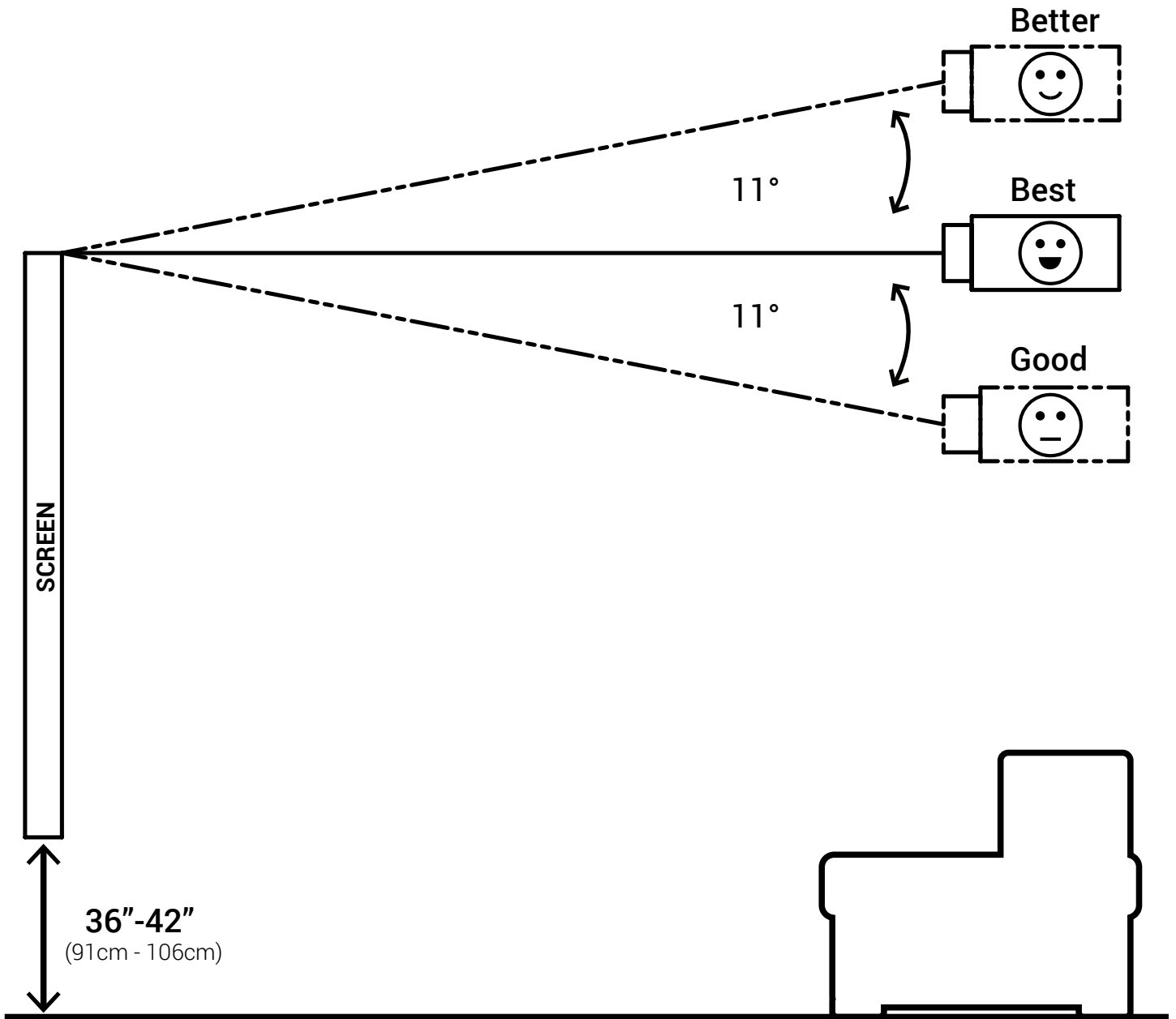
512-832-6939

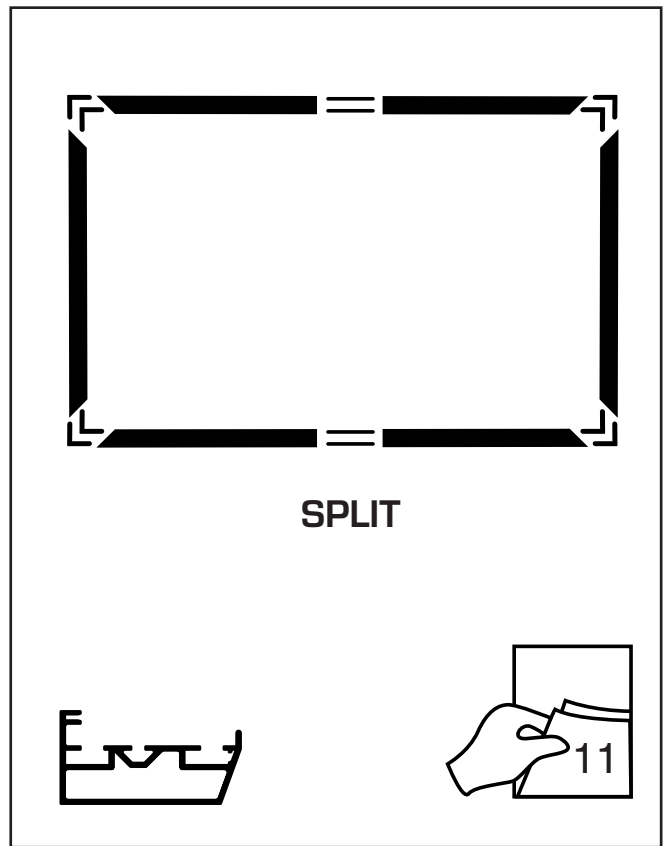
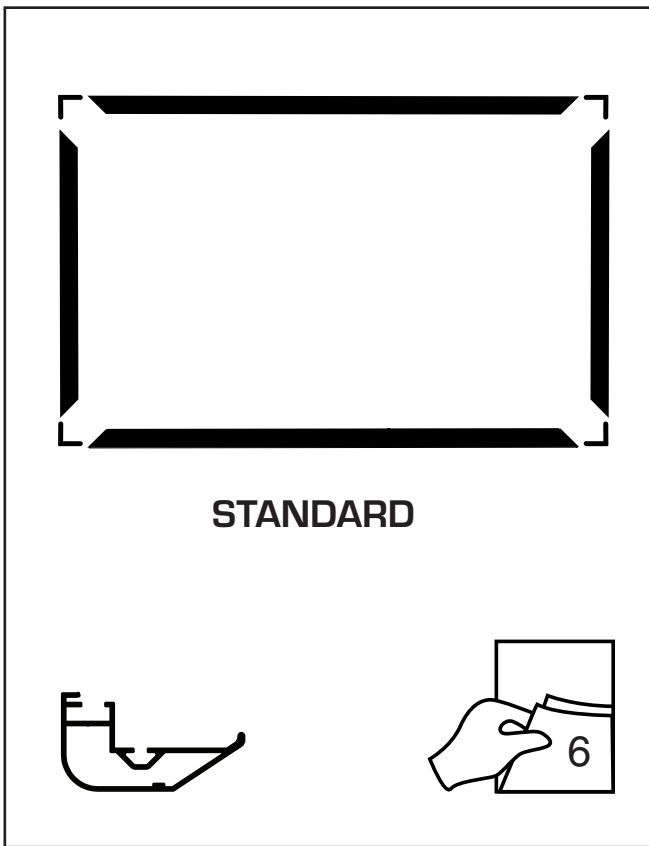
9715-B Burnet Road Suite 400, Austin, TX 78758

SCREENINNOVATIONS.COM

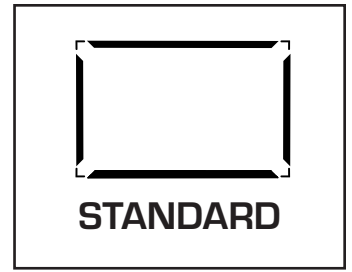
5 SERIES FIXED

Projector Placement

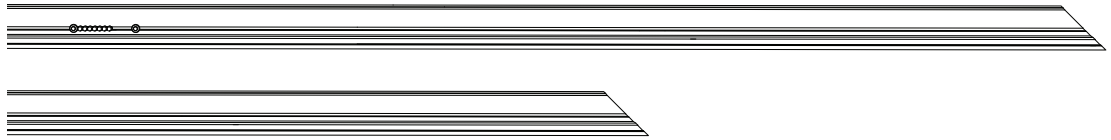




Frame Installation



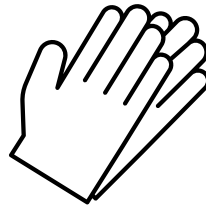
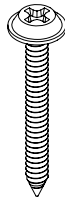
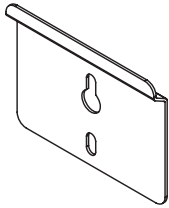
2X



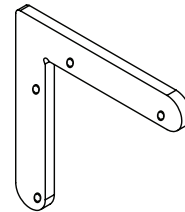
1X



Hardware Kit



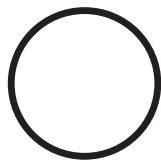
1X



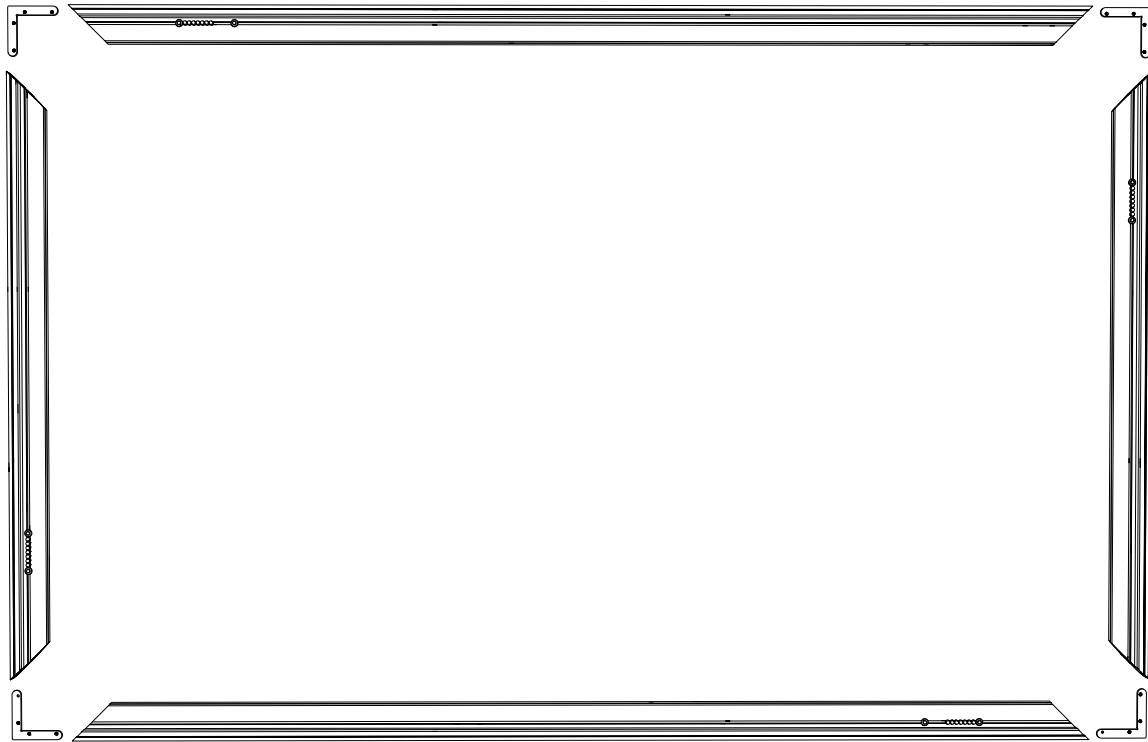
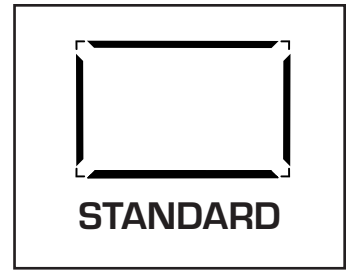
4X

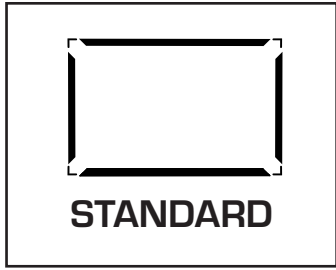


2X

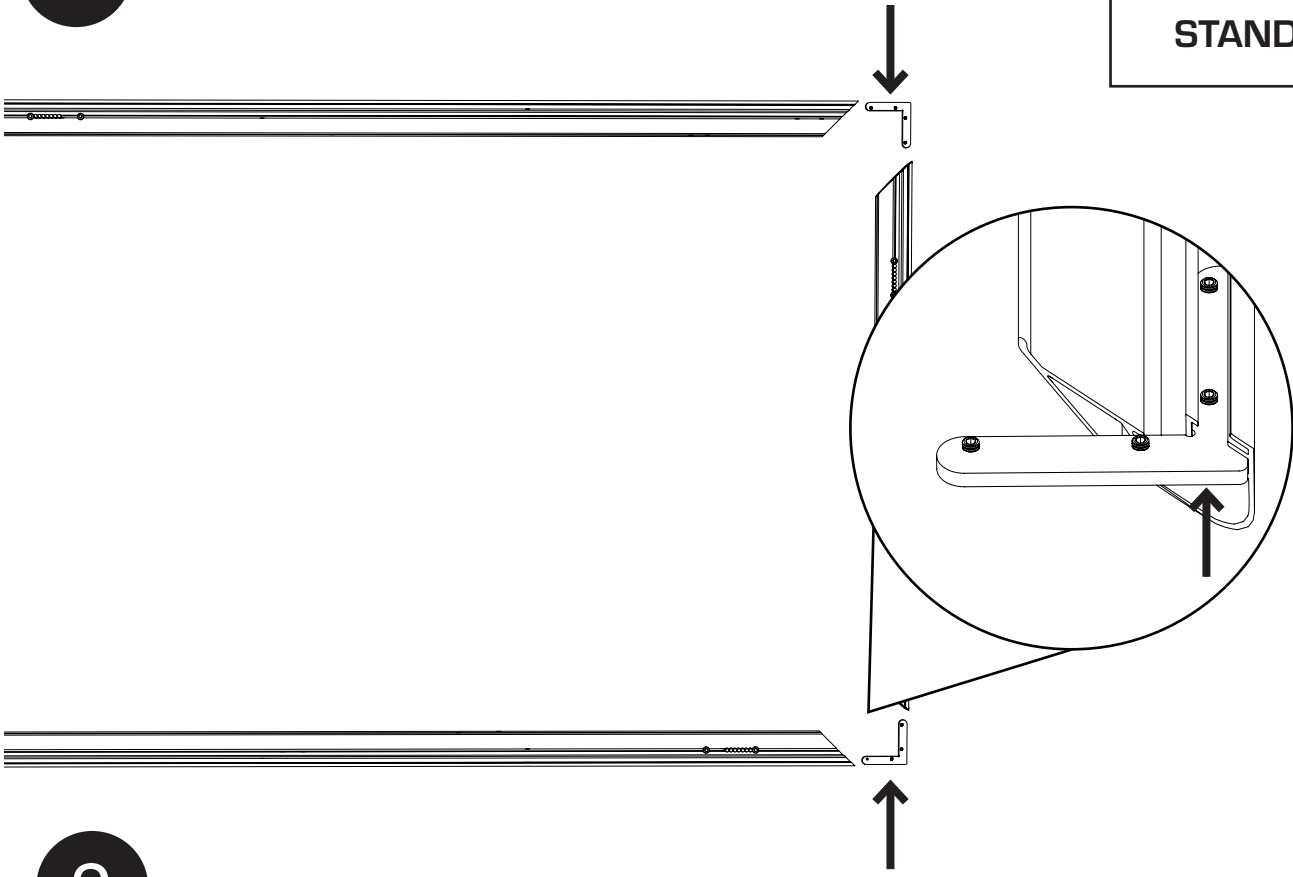


(MAESTRO ONLY)

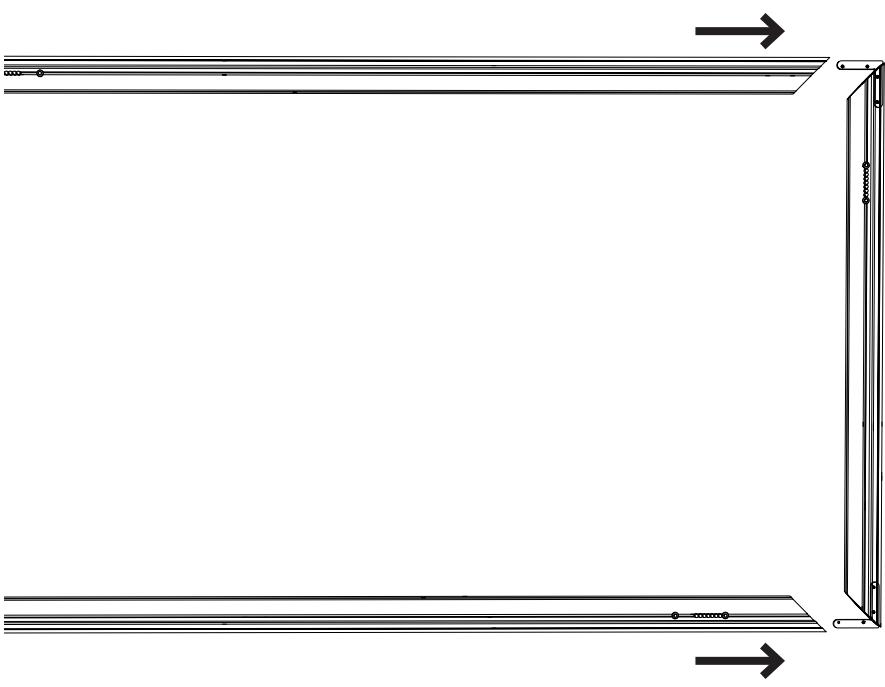




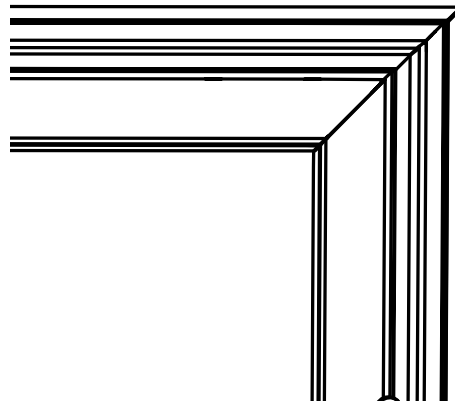
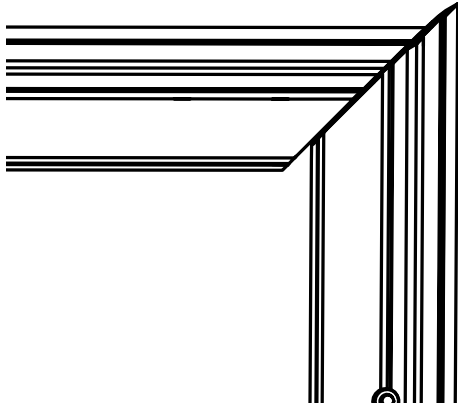
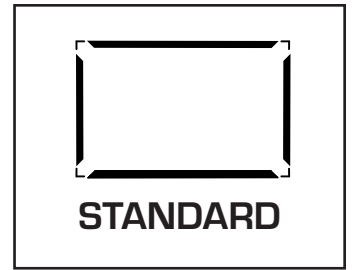
1



2

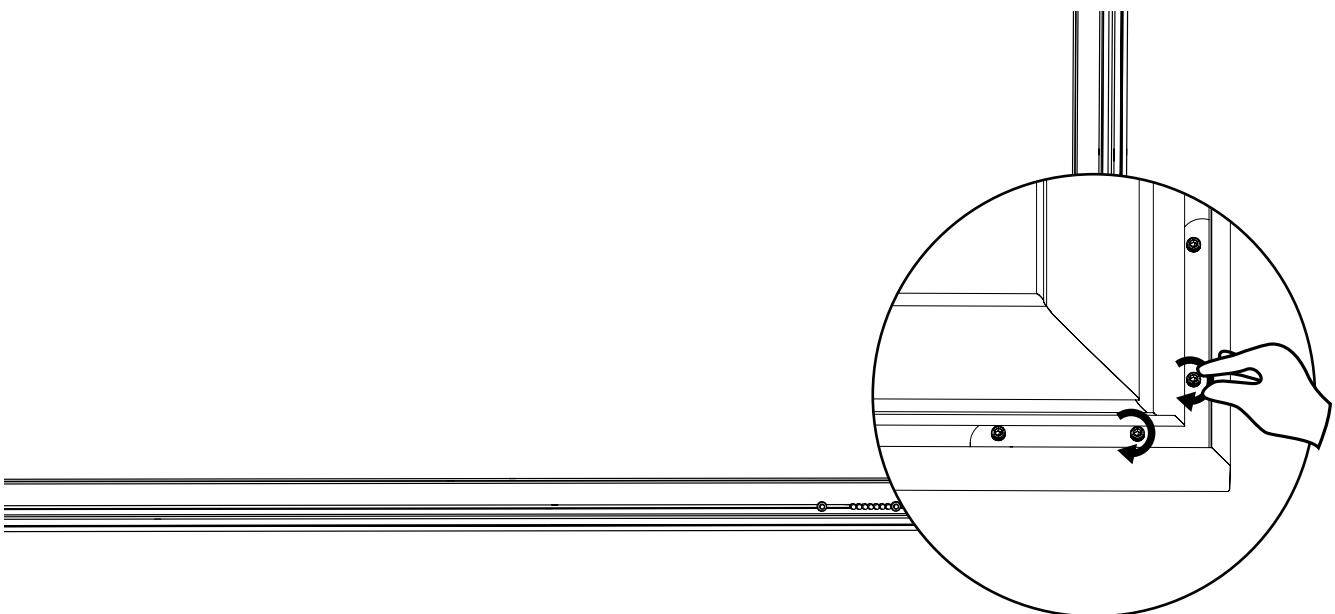


3

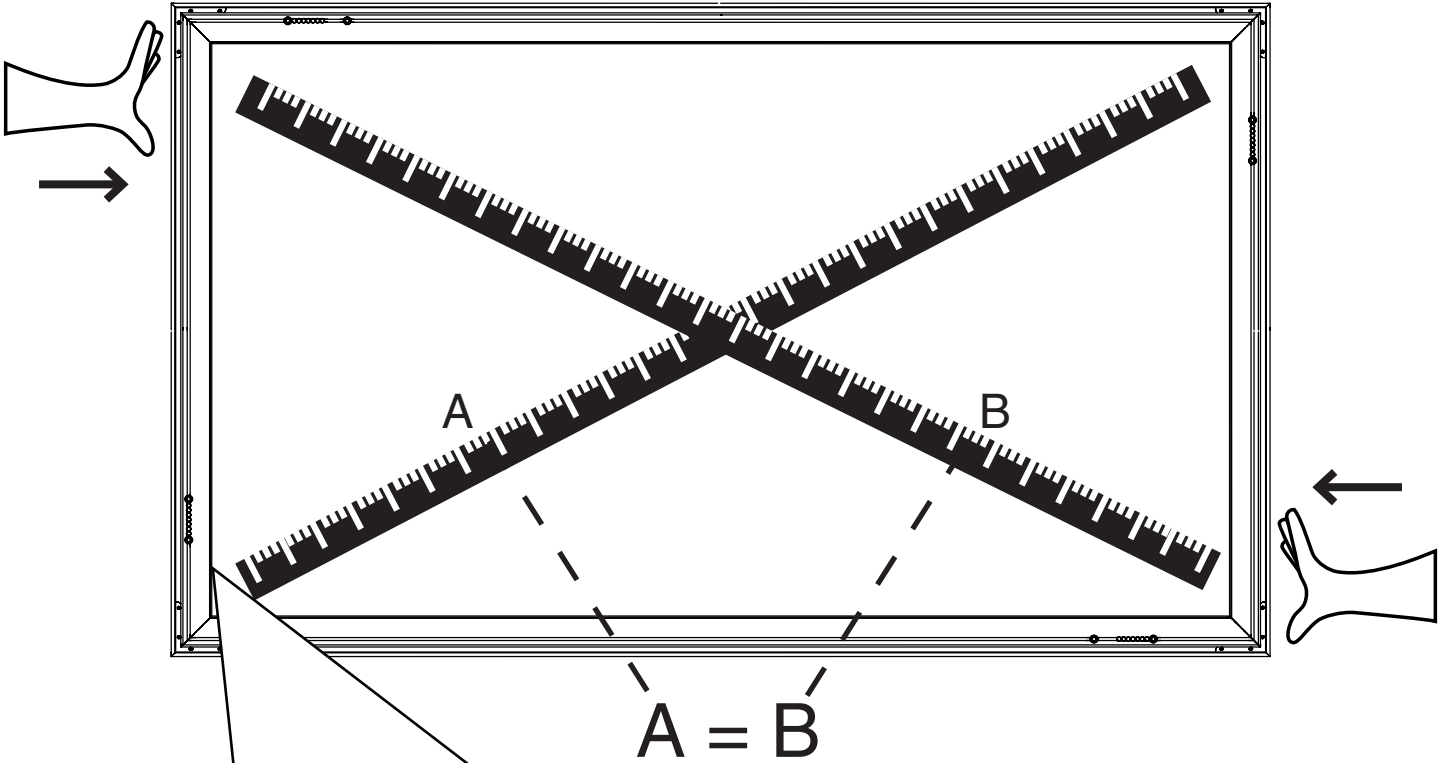
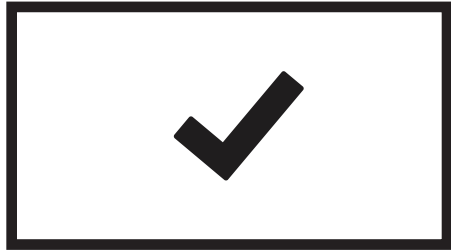
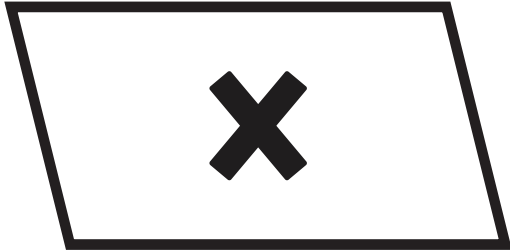
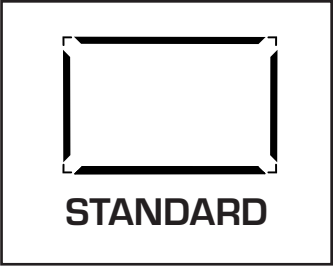


4

Set screws should be finger tightened only at this time.

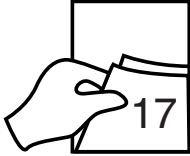


5

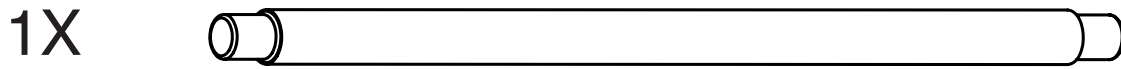
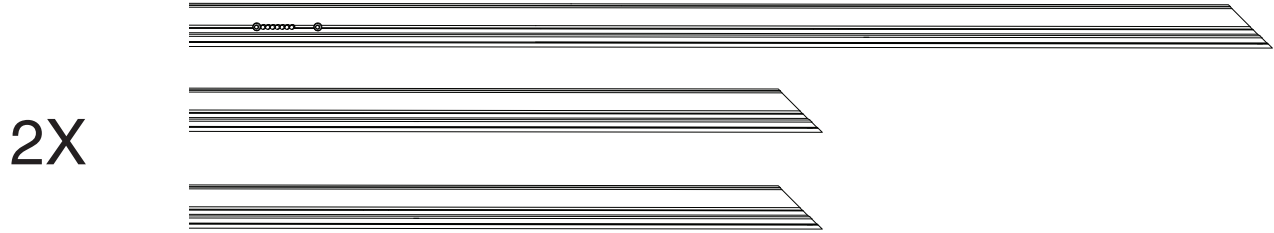
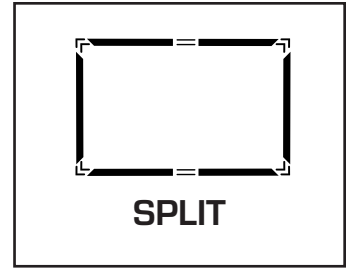


6

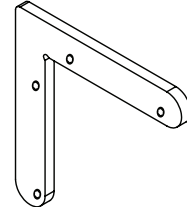
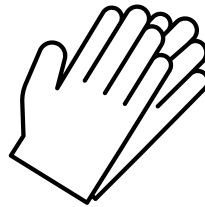
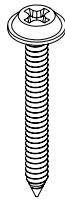
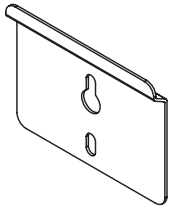
Square the frame using a carpenter's square or tape measure. Tighten the set screws using the provided allen tool. **DO NOT** use an impact or drill to tighten the set screws as it will damage the frame.



Frame Installation

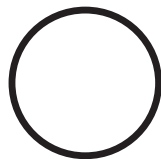


Hardware Kit

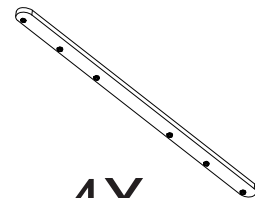
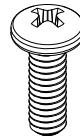


1X

4X



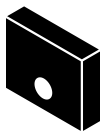
(MAESTRO ONLY)



2X

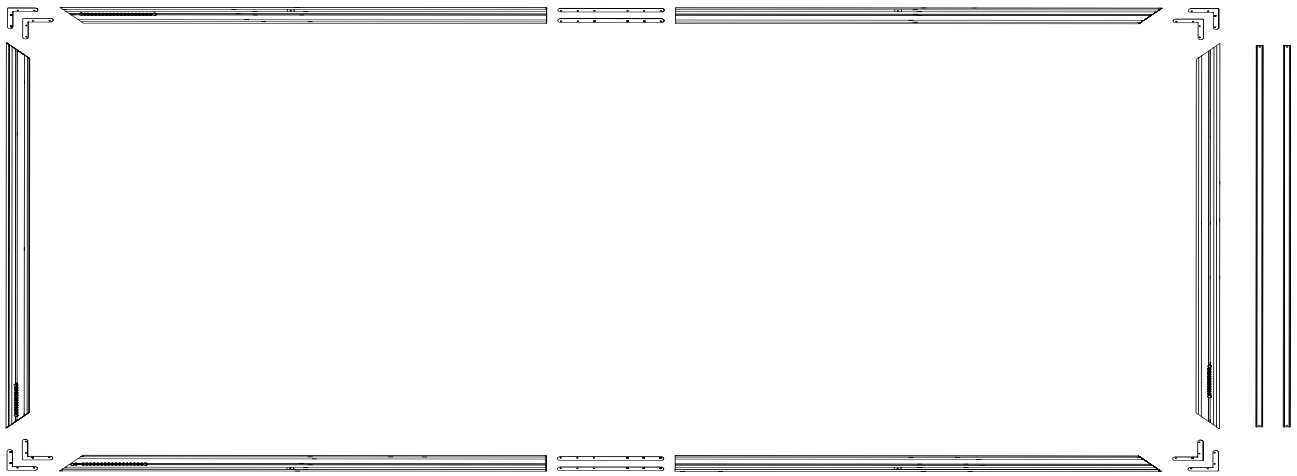
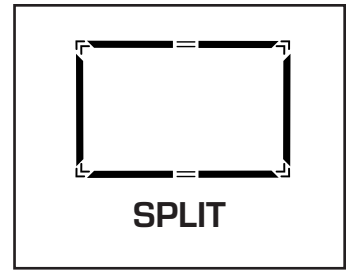
4X

4X

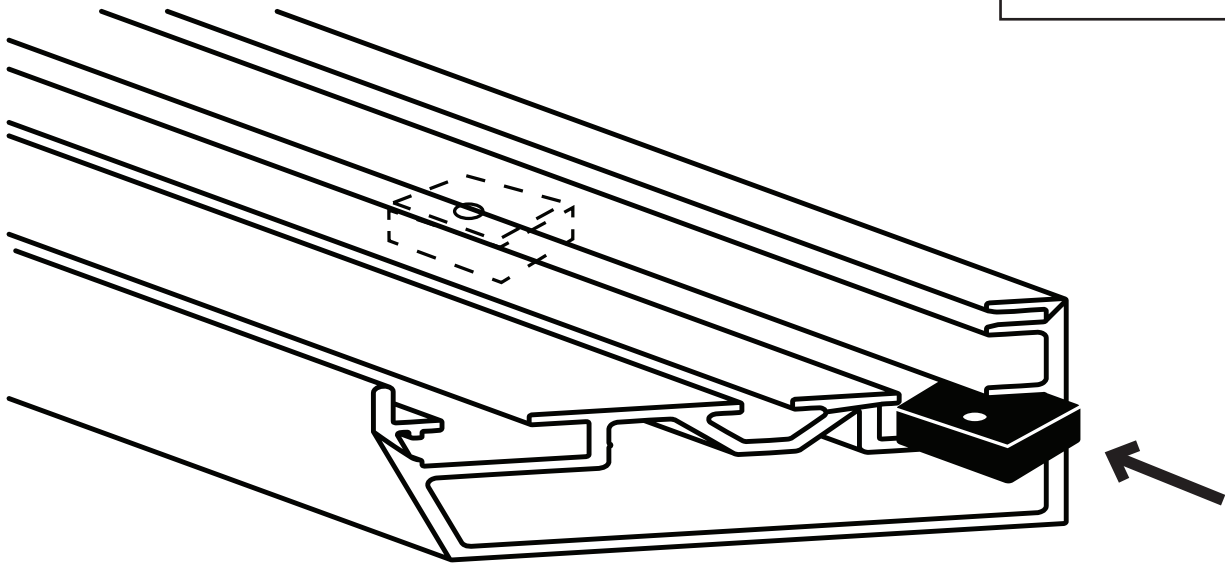
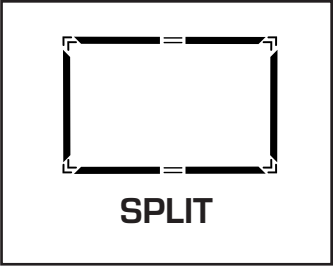


4X

Larger screens are shipped with slot nuts, bolts, and vertical support bars. These must be installed on large, split frame screens, or wall brackets must be installed top and bottom.

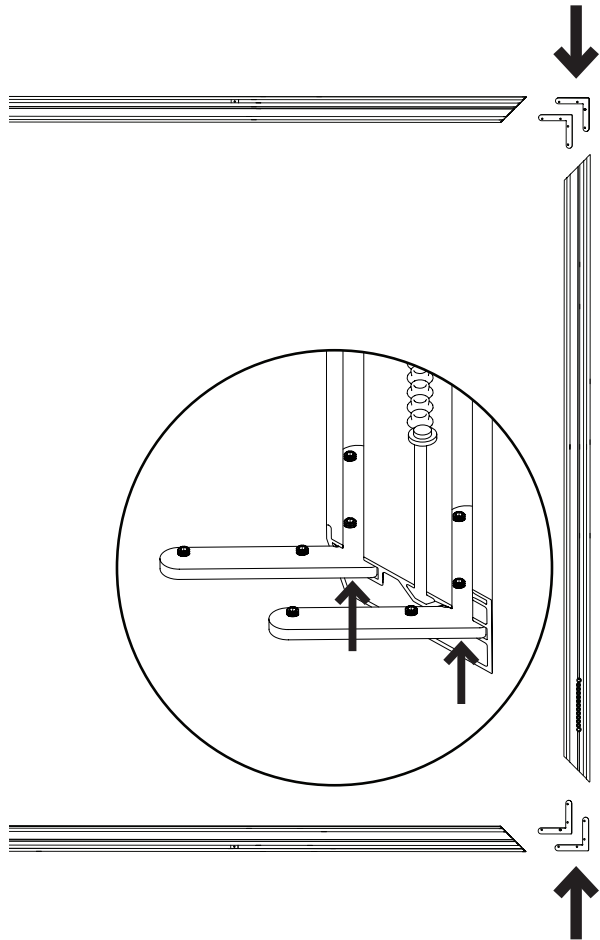


1

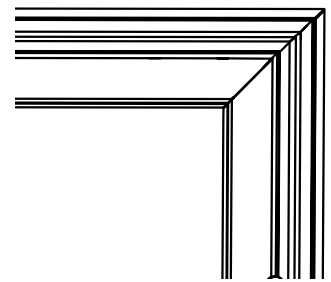
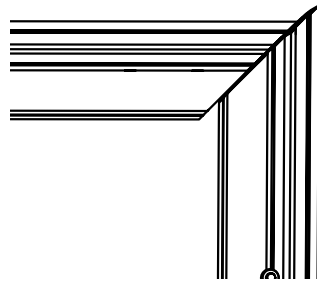
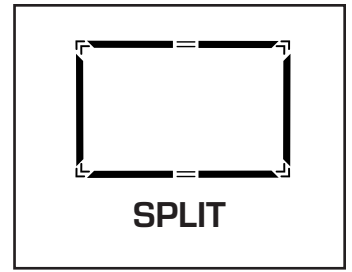


Install the t-slot nuts in the horizontal frame pieces before the brackets.

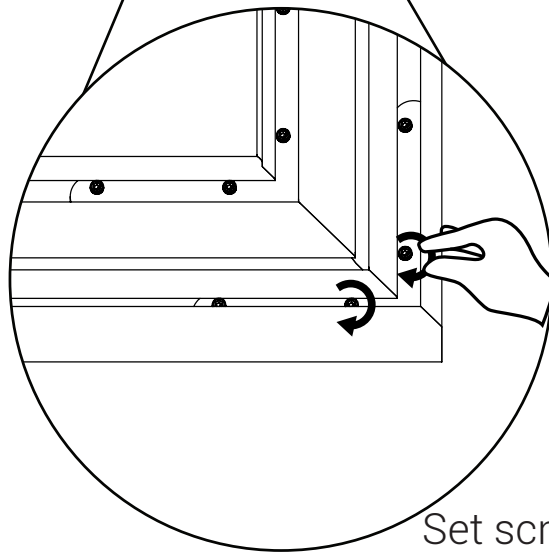
2



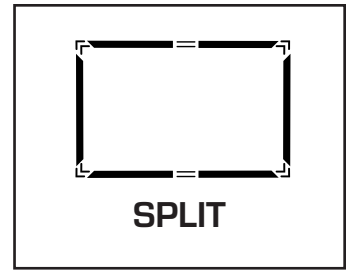
3



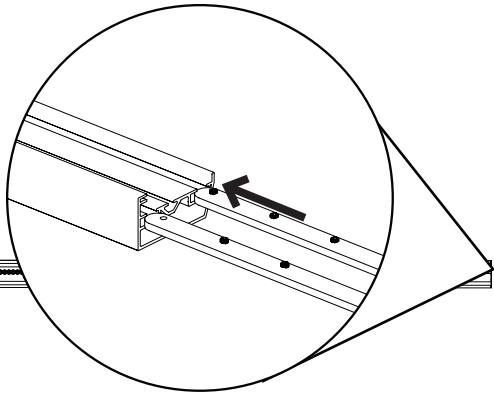
4



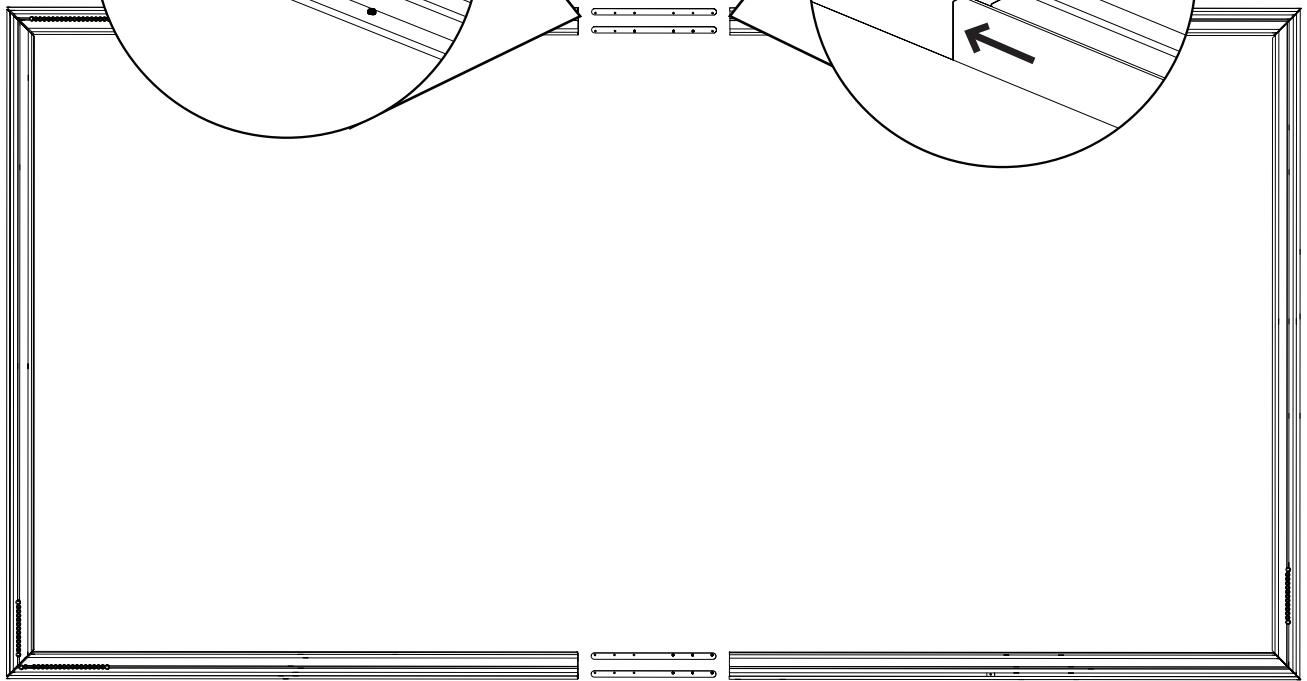
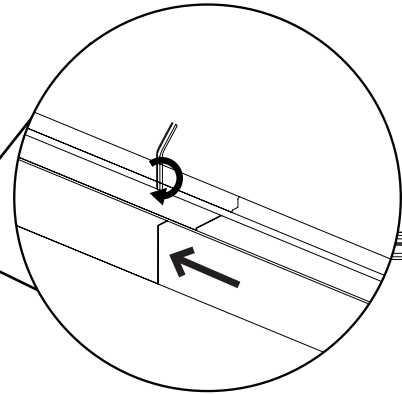
Set screws should be finger tightened only at this time.



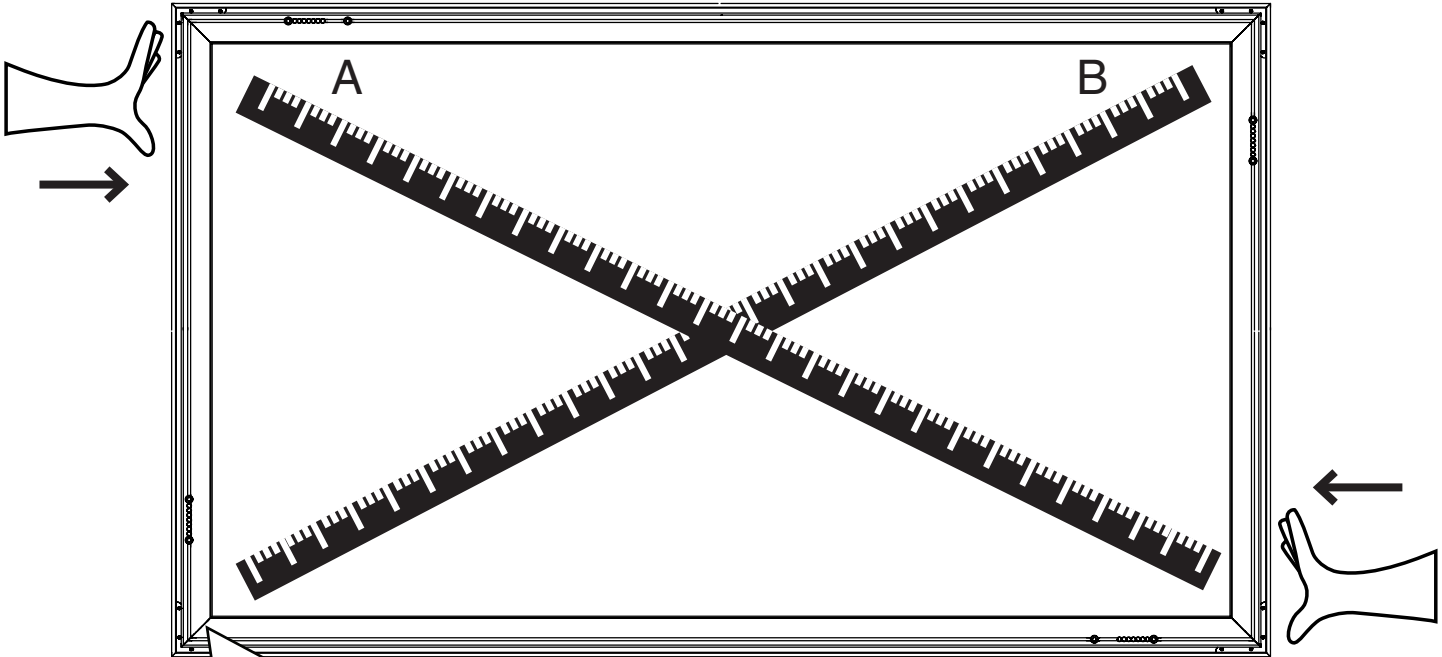
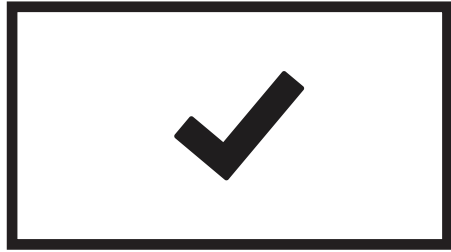
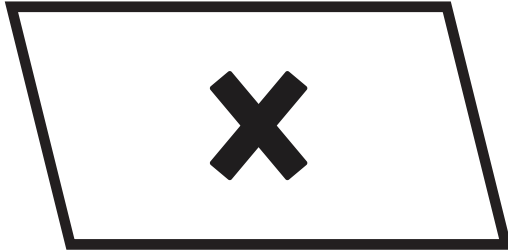
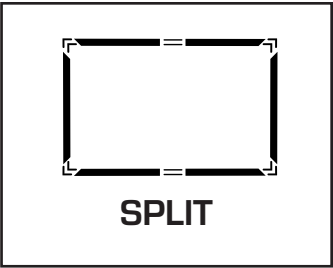
5



6

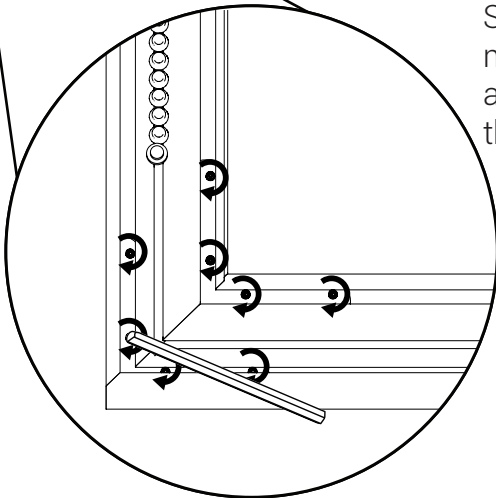


7

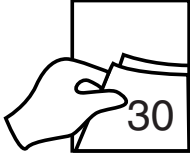


$A = B$

8

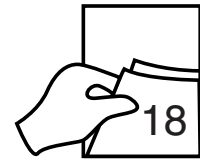


Square the frame using a carpenters square or tape measure. Tighten the set screws using the provided allen tool. DO NOT use an impact or drill to tighten the set screws as it will damage the frame.

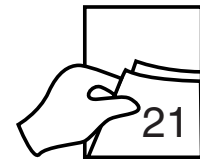


Material?

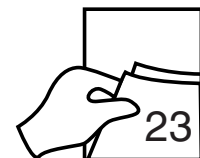
SLATE & PURE



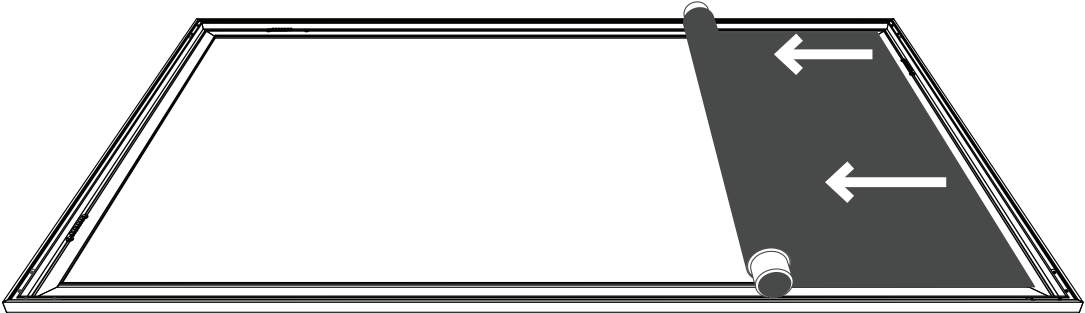
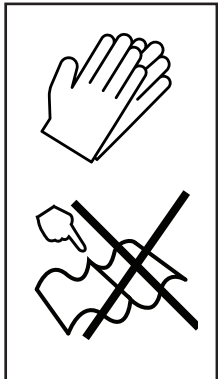
SHORT THROW



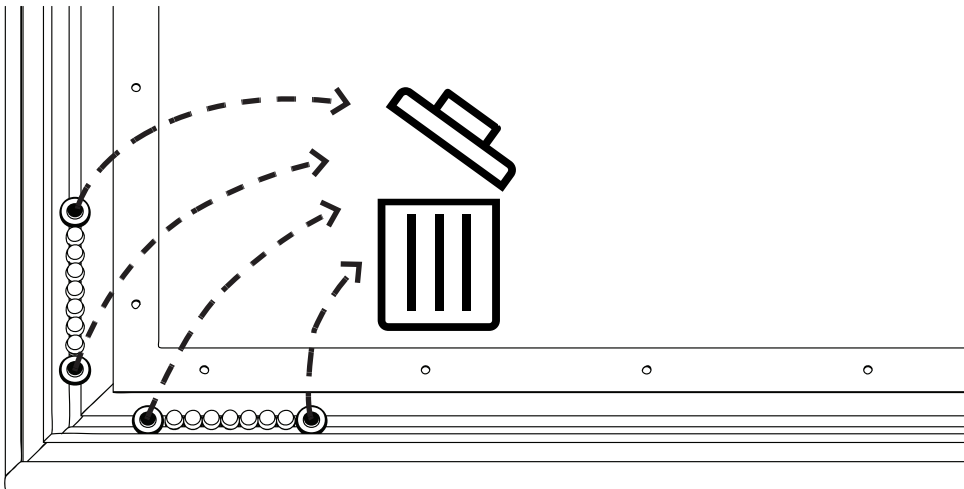
MAESTRO



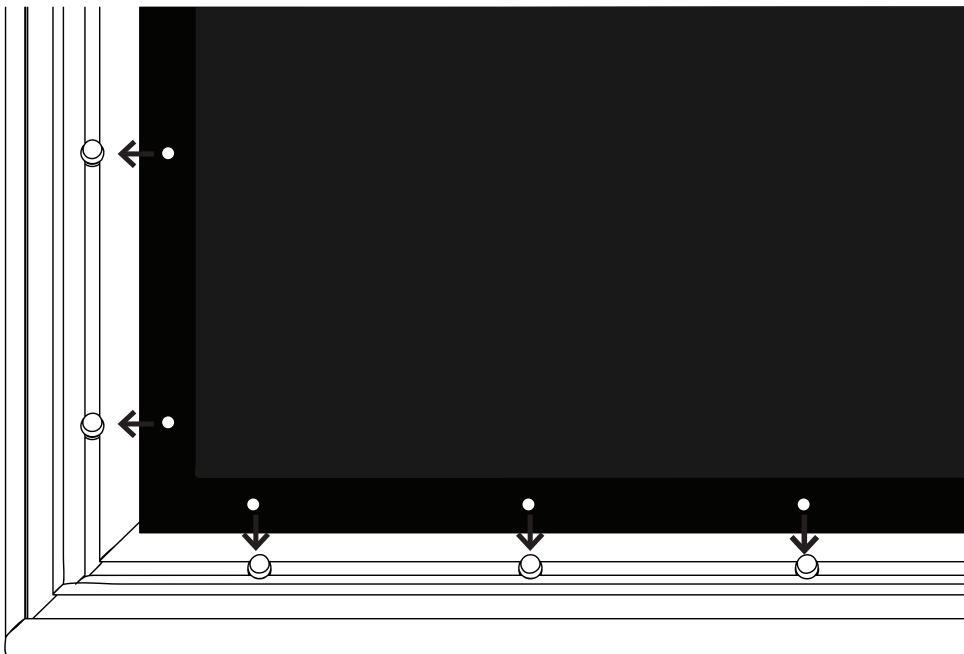
1



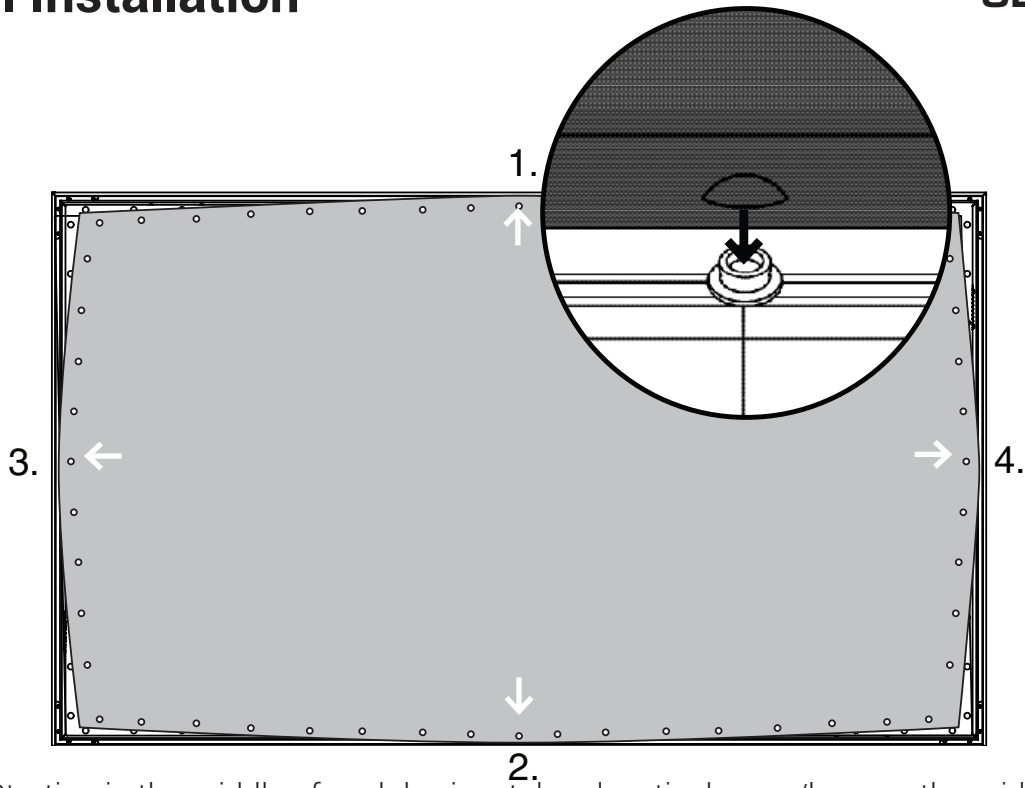
2



3

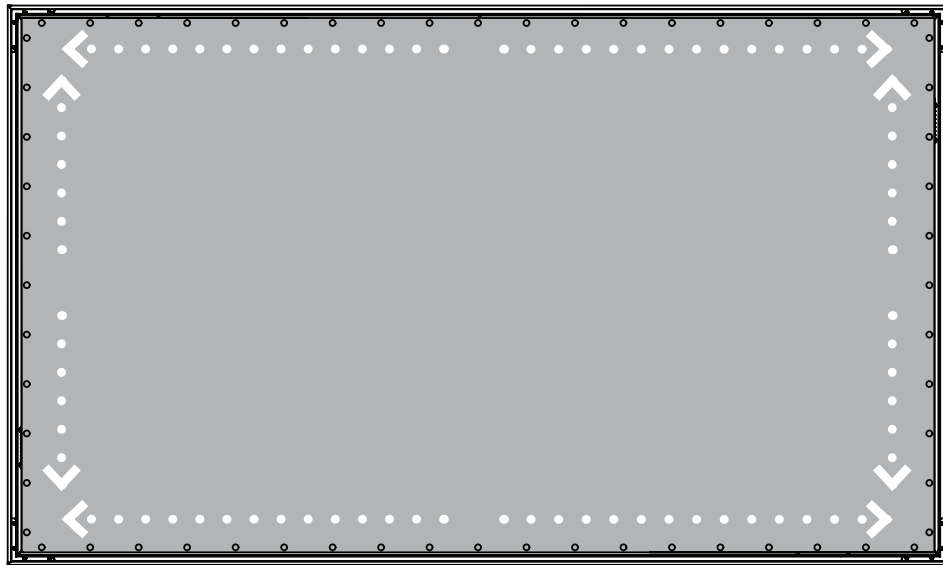


4

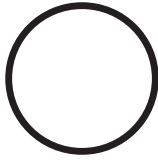


Starting in the middle of each horizontal and vertical, snap/bungee the middle of each side, then work your way outward, completing a side at a time.

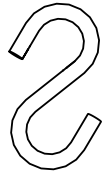
5



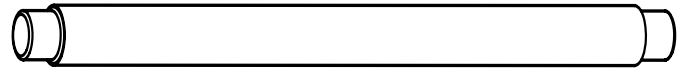
For AT Material Only



10X Bungees

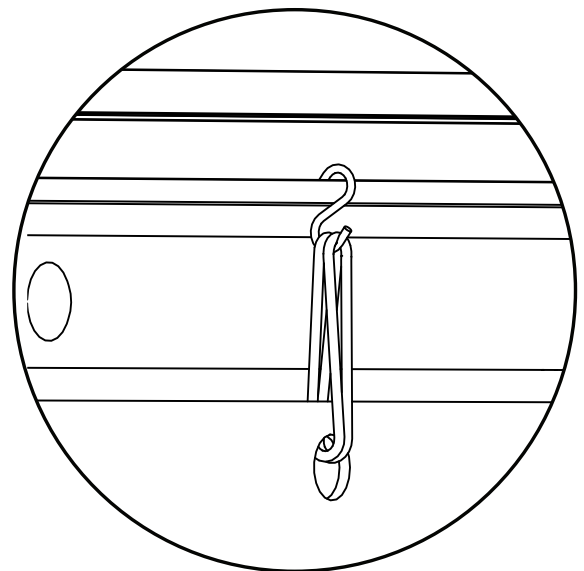
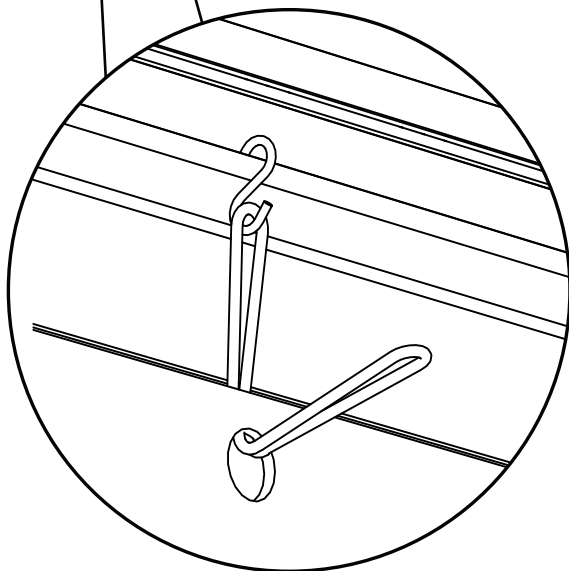
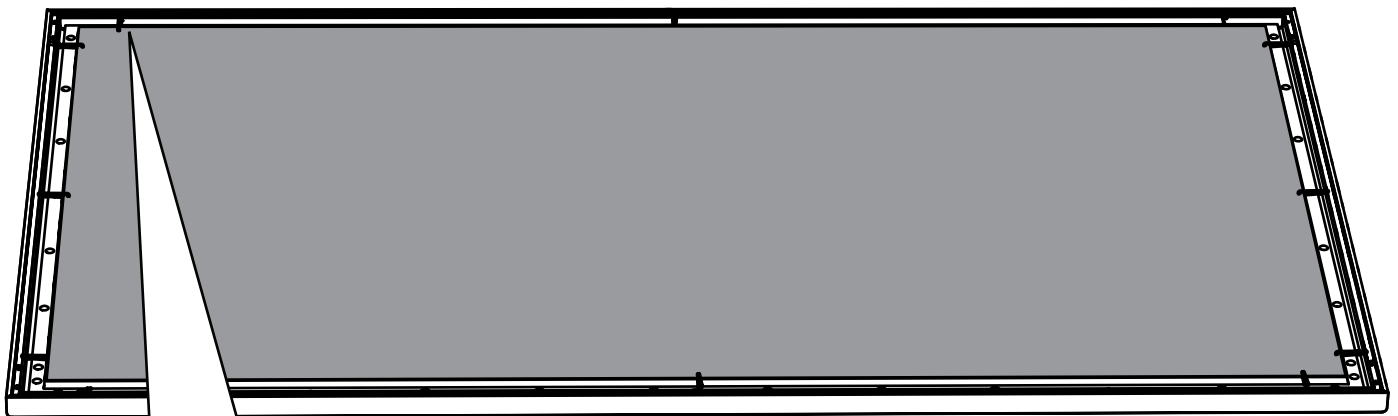


10X S Hooks

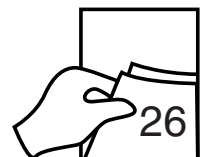


Black backer material
(included with material roll)

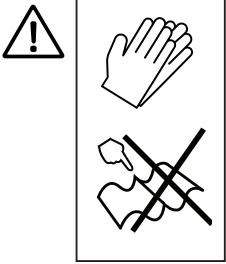
Acoustically Transparent (AT) materials come with a black backer that must be installed to eliminate shine through.



Unroll the black backer material over the screen material. Hook the S hooks into the channel in the frame and then attach to the holes in the black backer material.

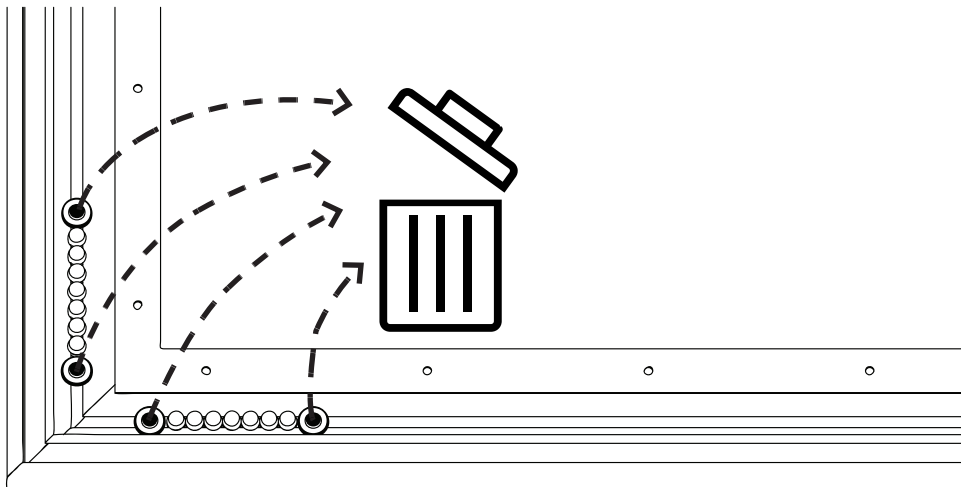


1

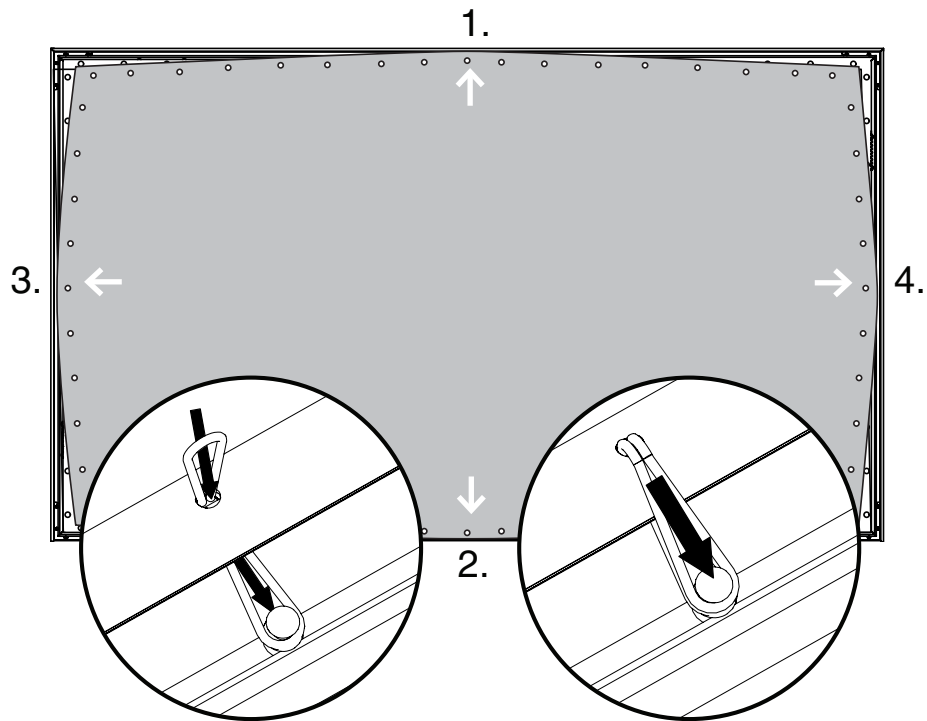


WHEN HANDLING AND UNROLLING THE SHORT THROW MATERIAL DO NOT KINK IT! Once the material is kinked it is permanently damaged.

2

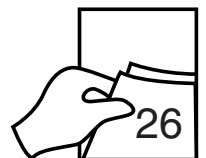
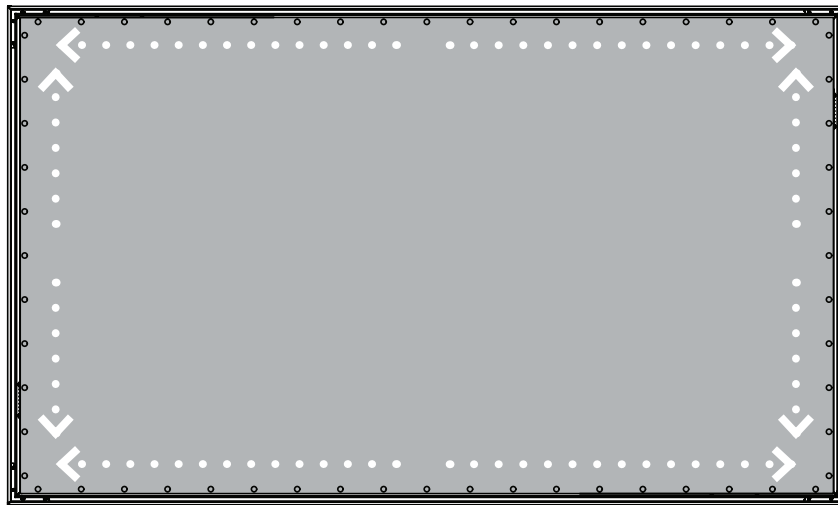


3

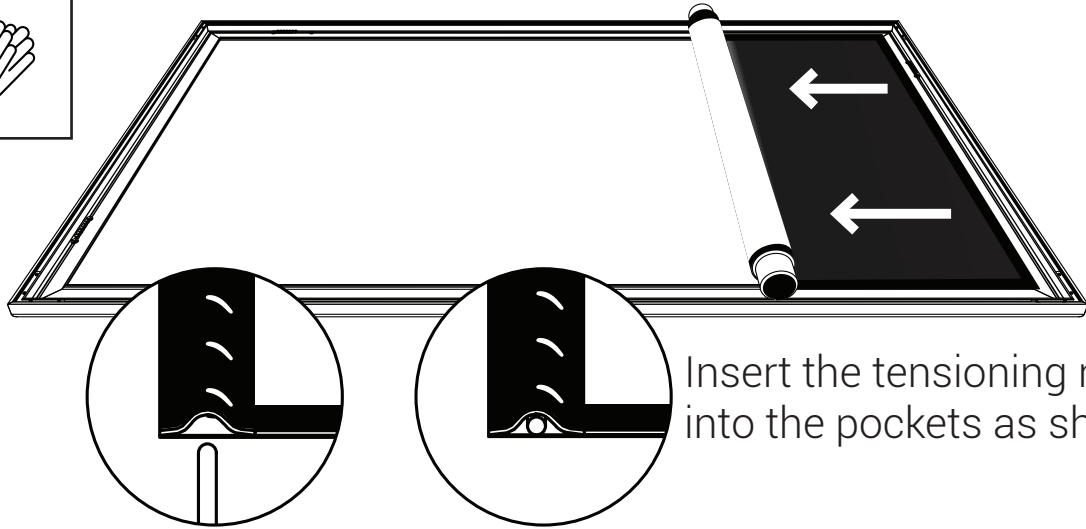


Starting in the middle of each horizontal and vertical, snap/bungee the middle of each side, then work your way outward, completing a side at a time.

4



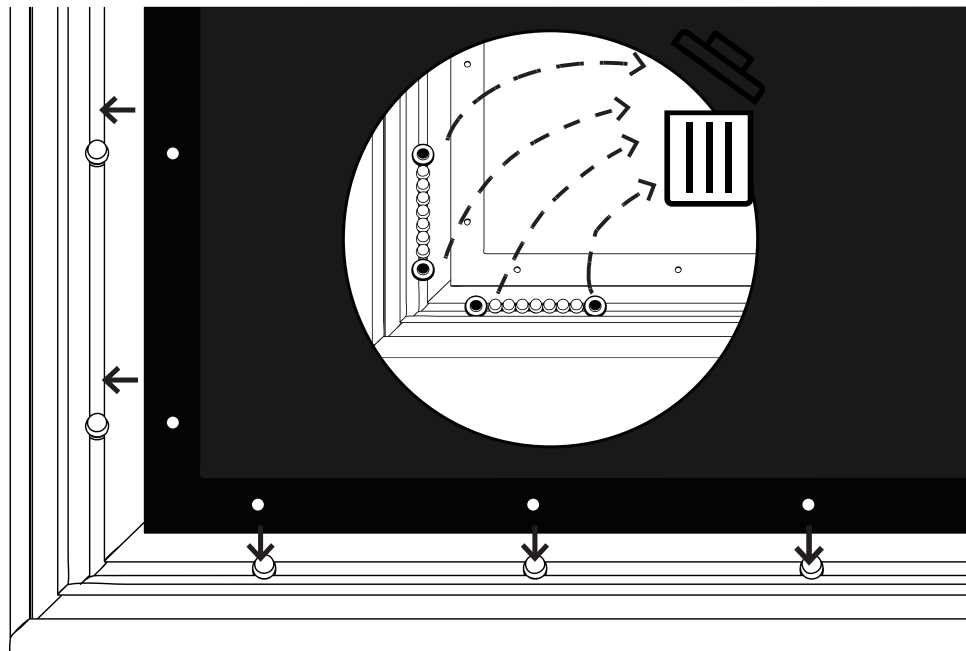
1



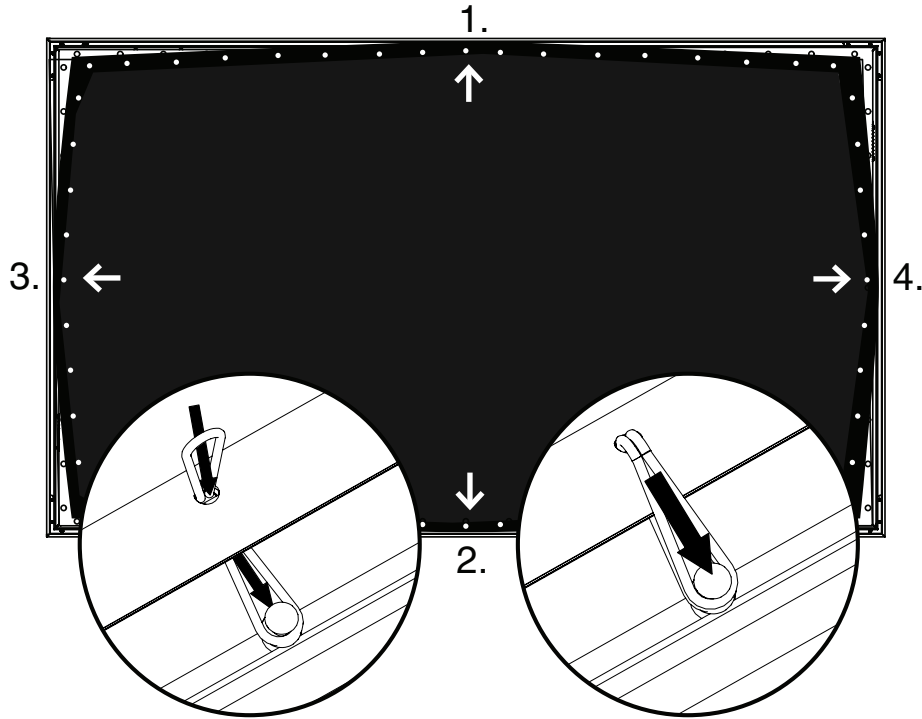
Insert the tensioning rods into the pockets as shown.

2

Maestro material has a black backer that must be installed with the viewing material to eliminate shine through.

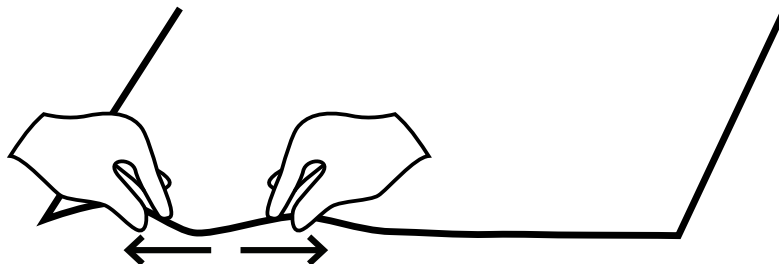


3

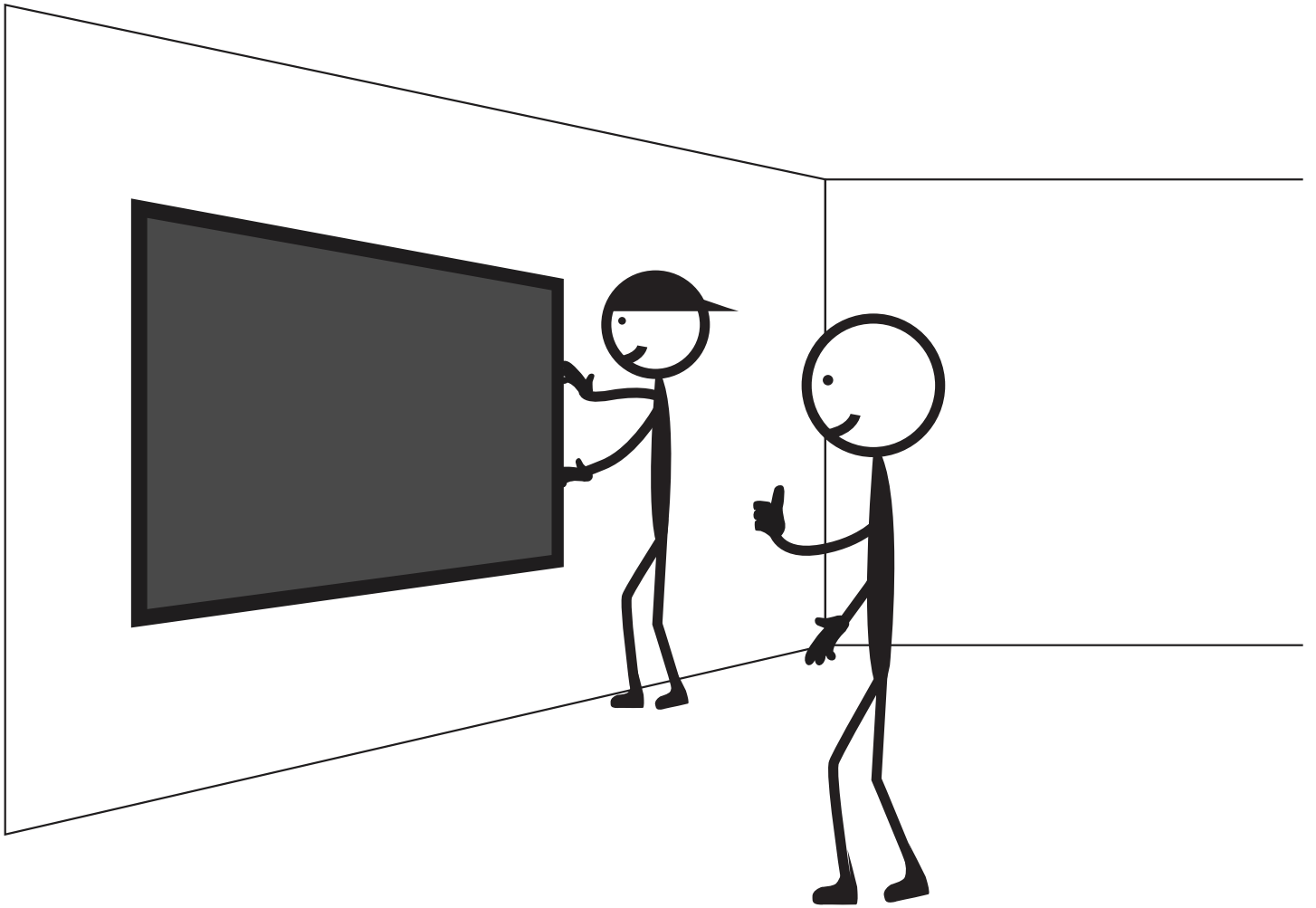


Starting in the middle of each horizontal and vertical, snap/bungee the middle of each side, then work your way outward, completing a side at a time.

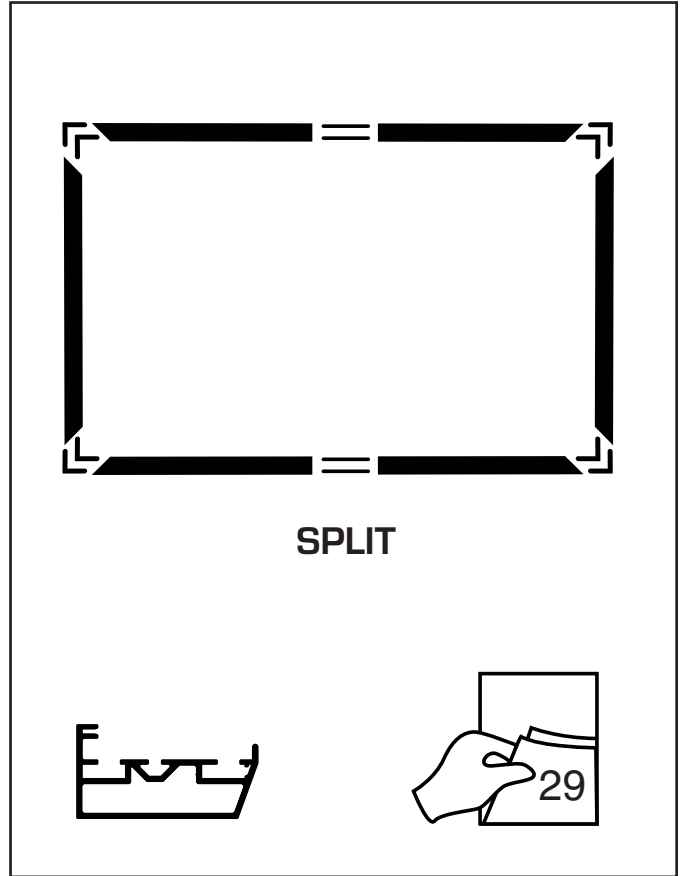
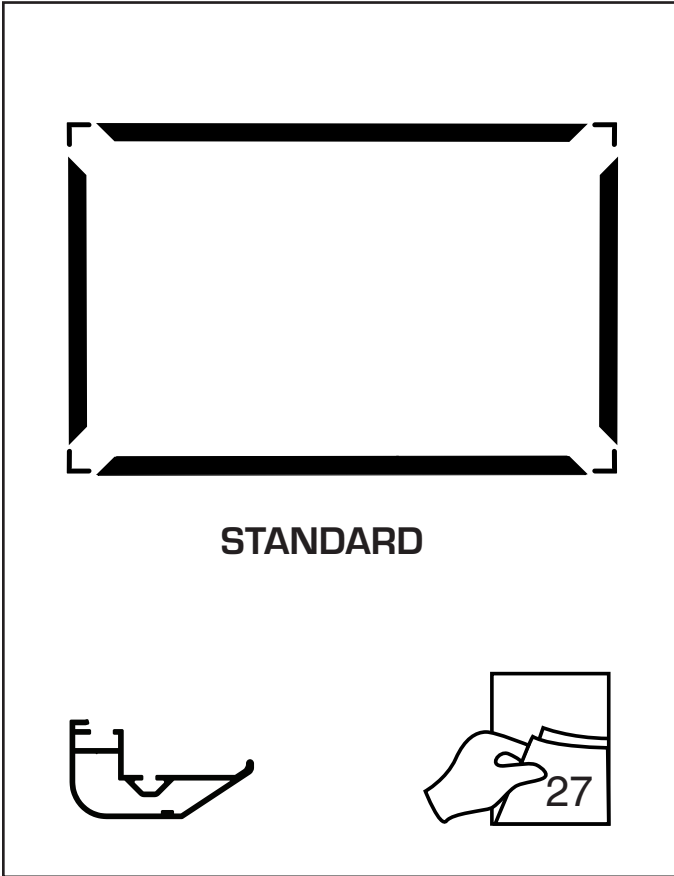
4



Screen Mounting

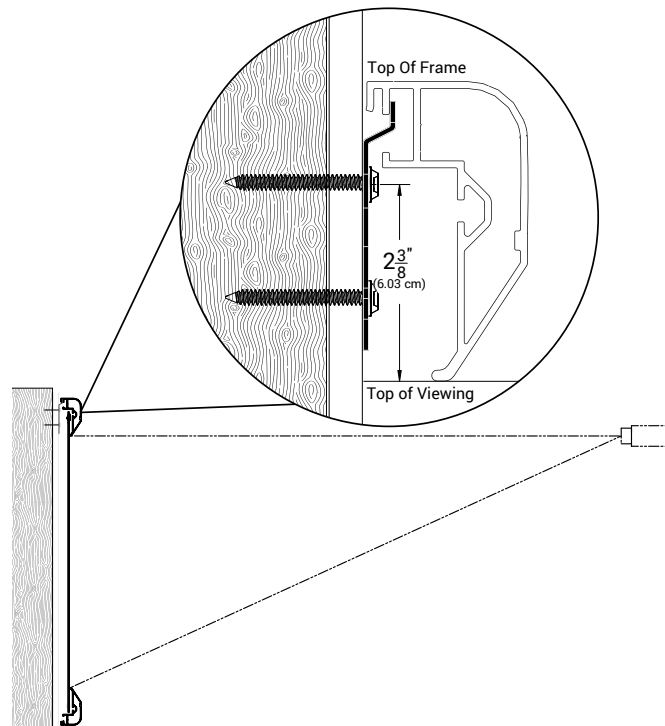
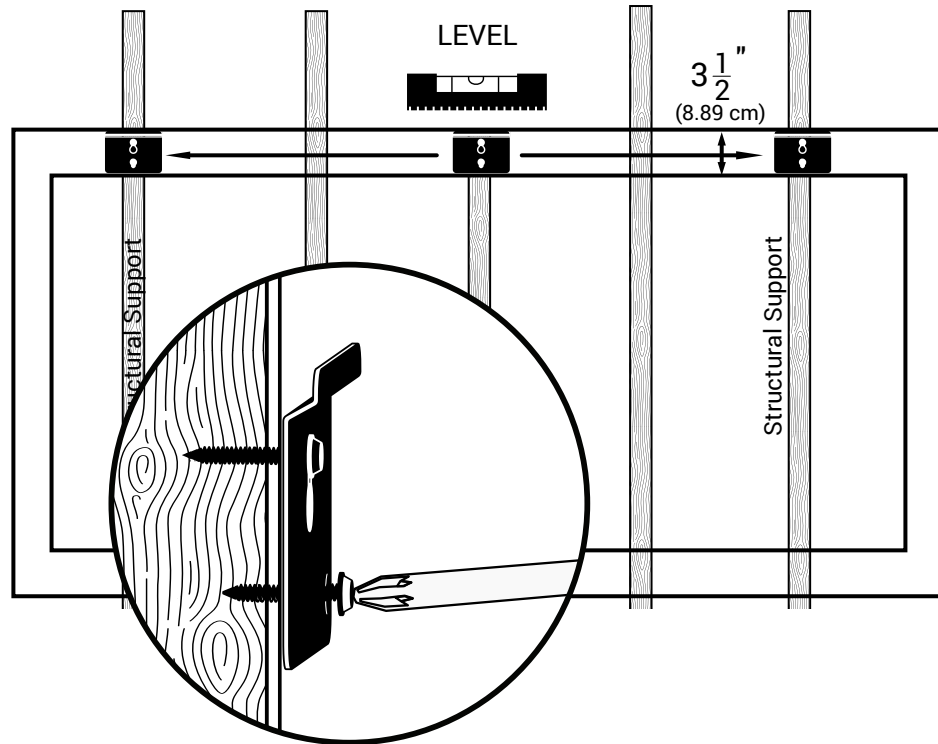
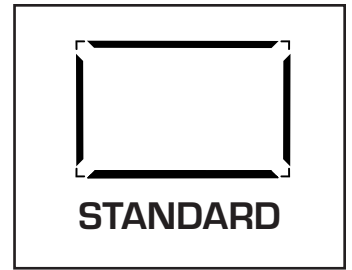


5 SERIES FIXED

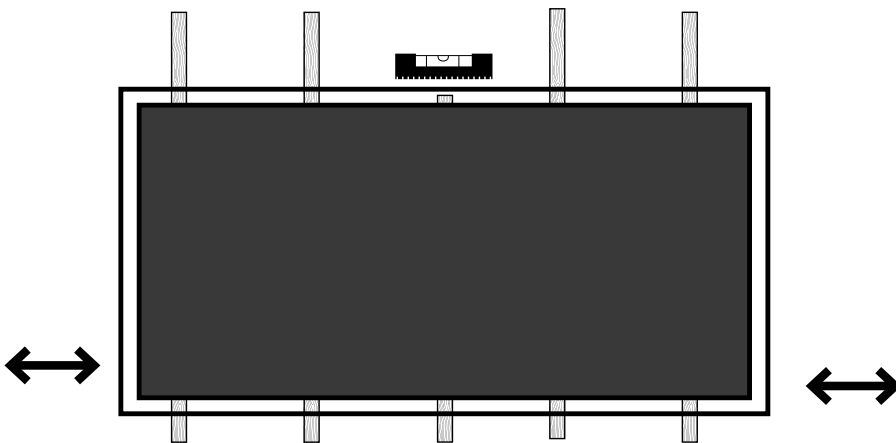
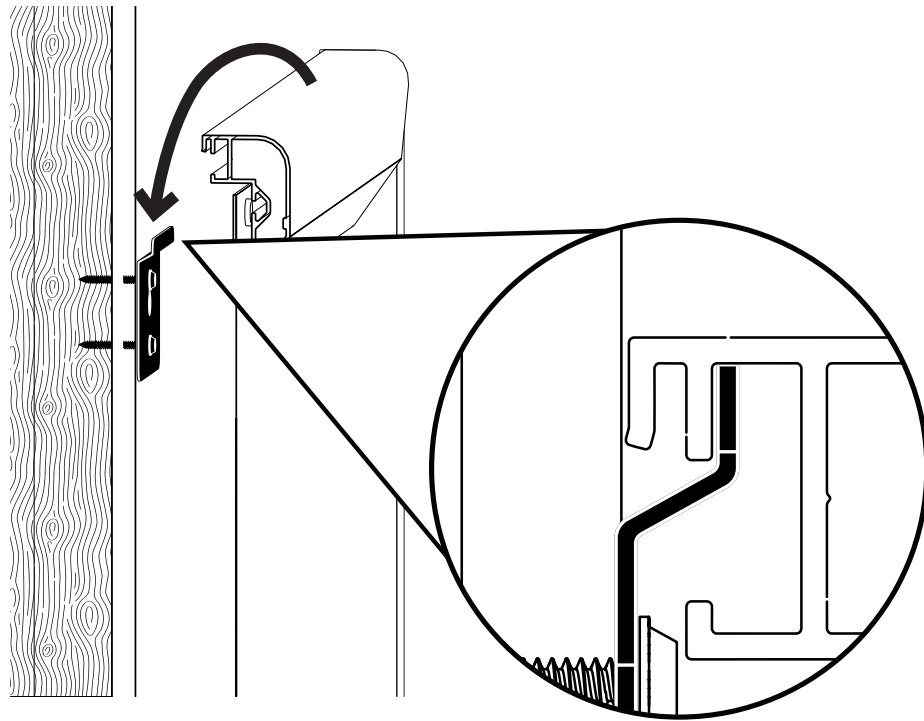
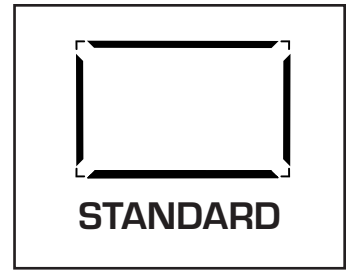


Screen Mounting

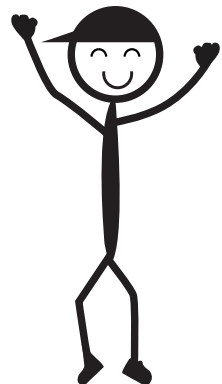
1

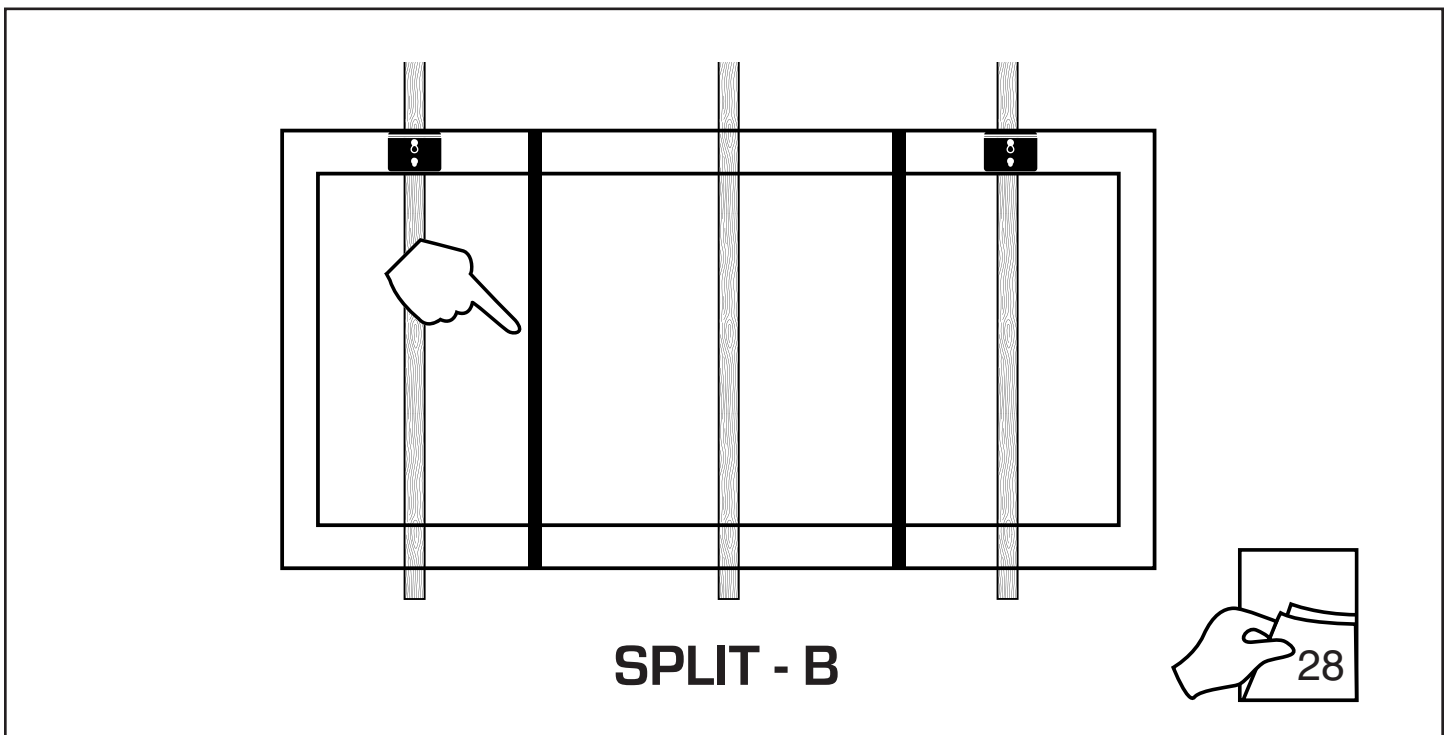
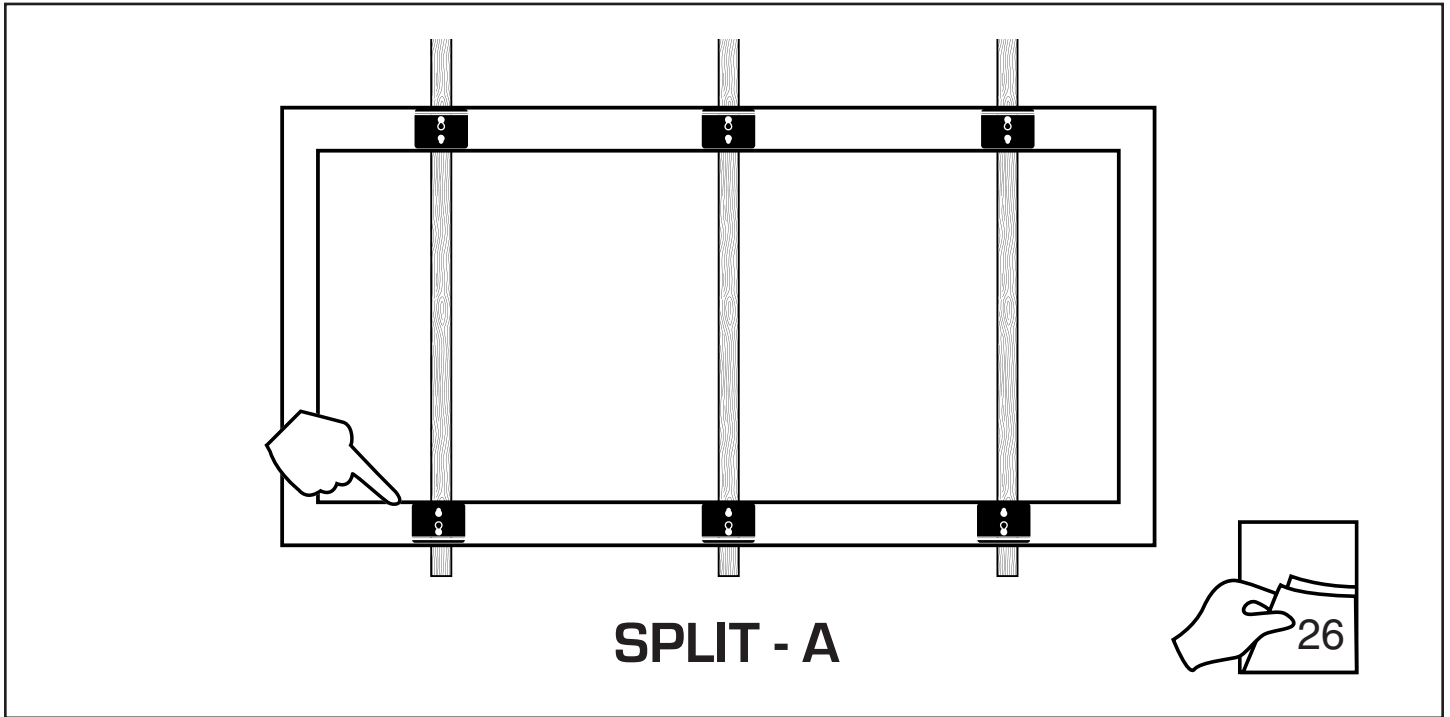
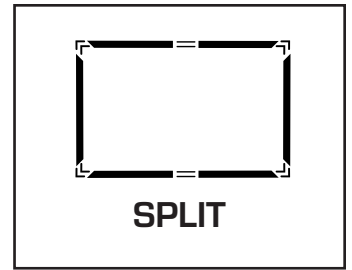


2

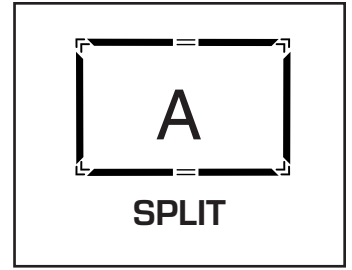


3



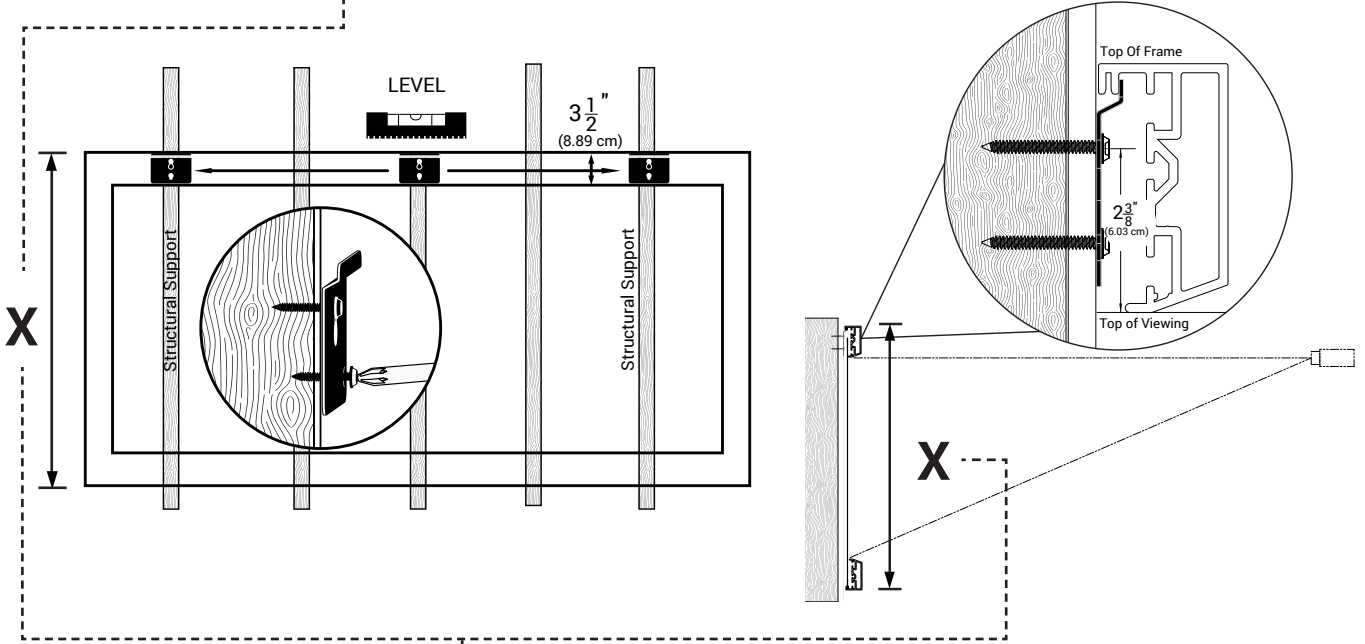


Screen Mounting




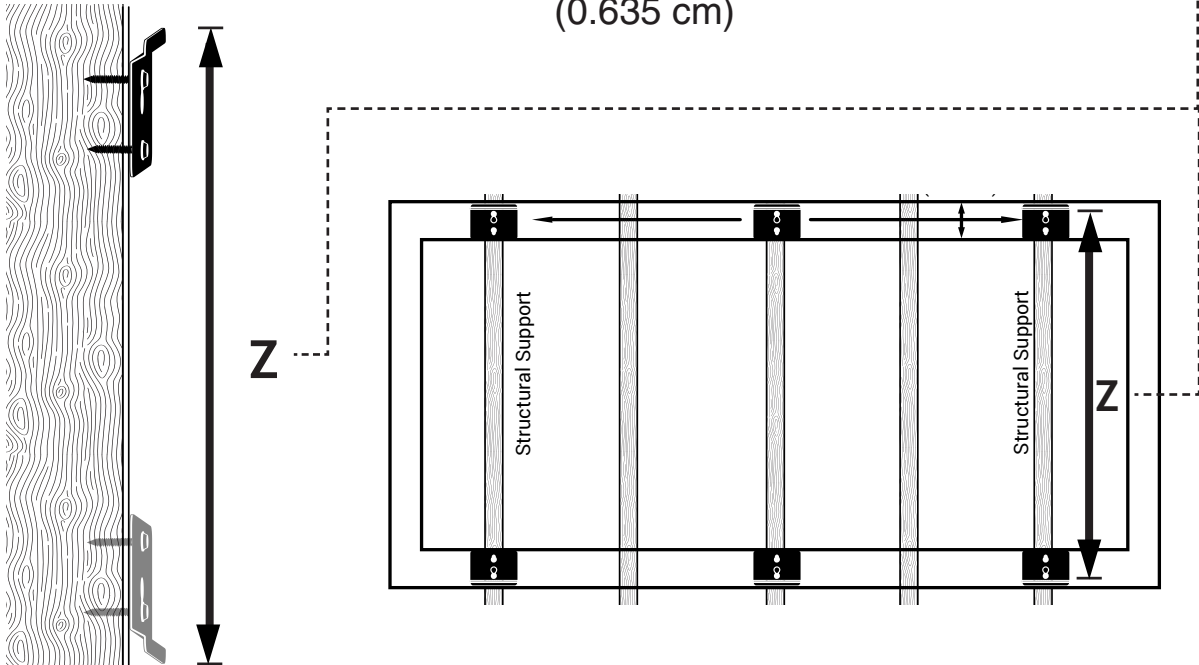
1

 $X =$ inch/cm

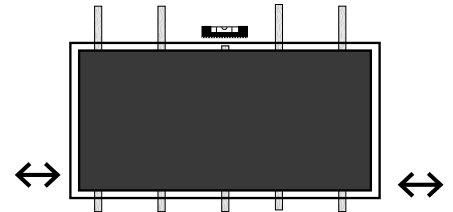
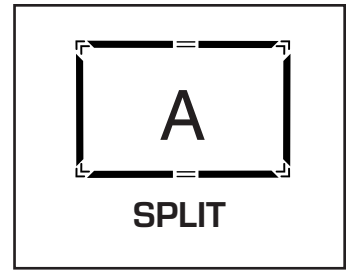
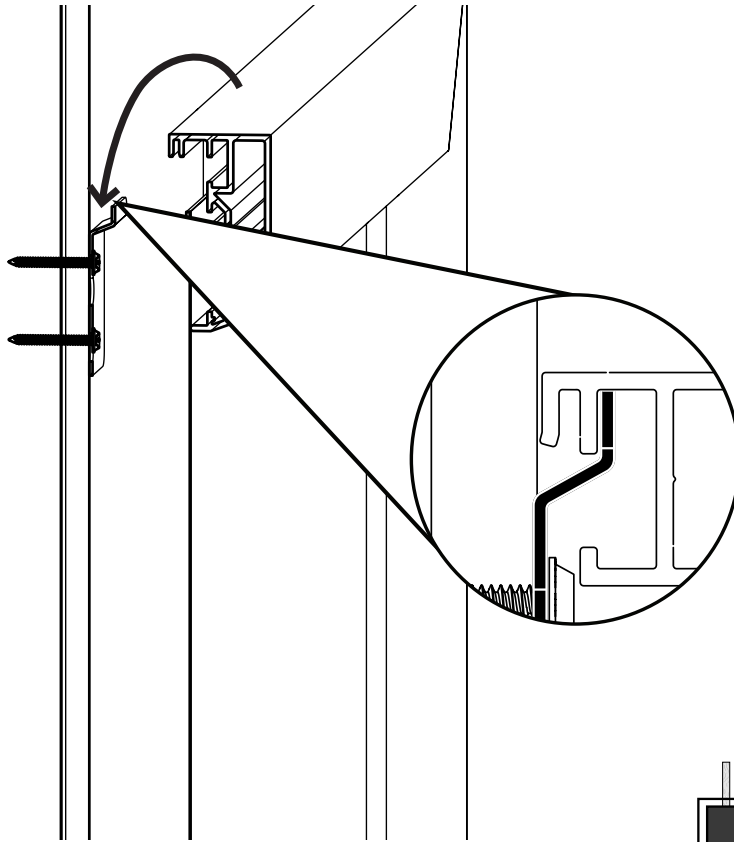


2

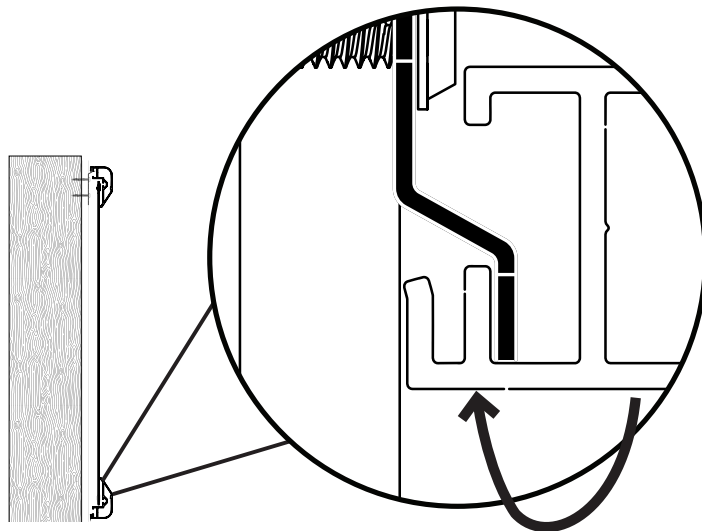
 $X - 1/4 =$ inch/cm
(0.635 cm)



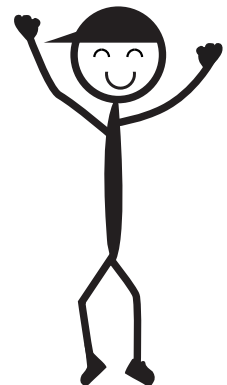
3



4

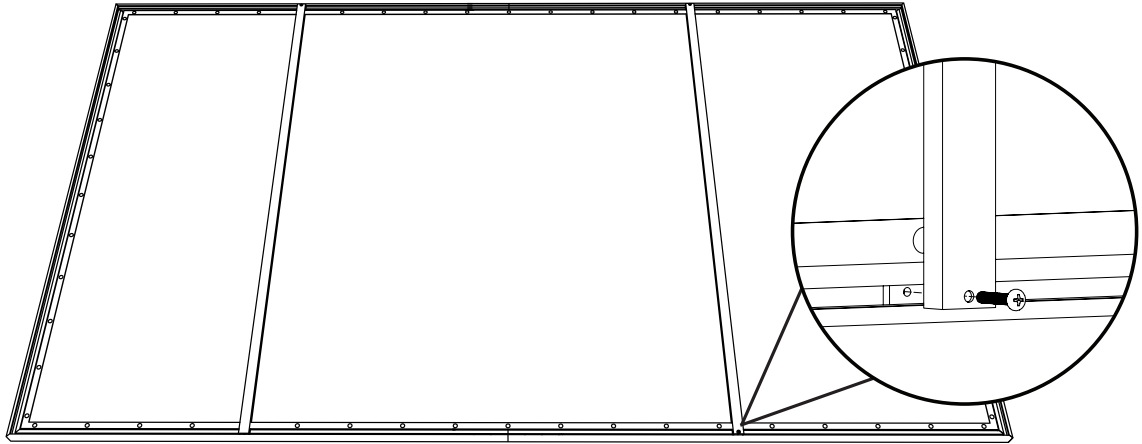
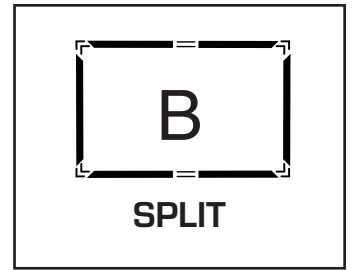


5

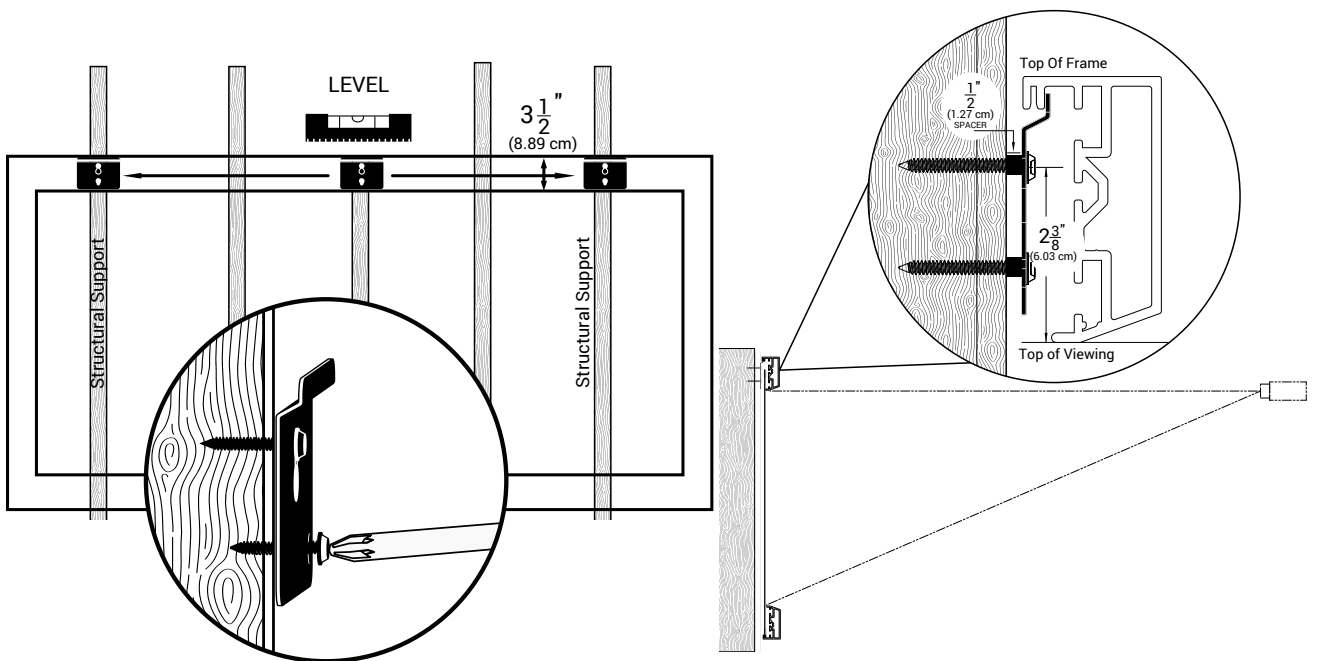


Screen Mounting

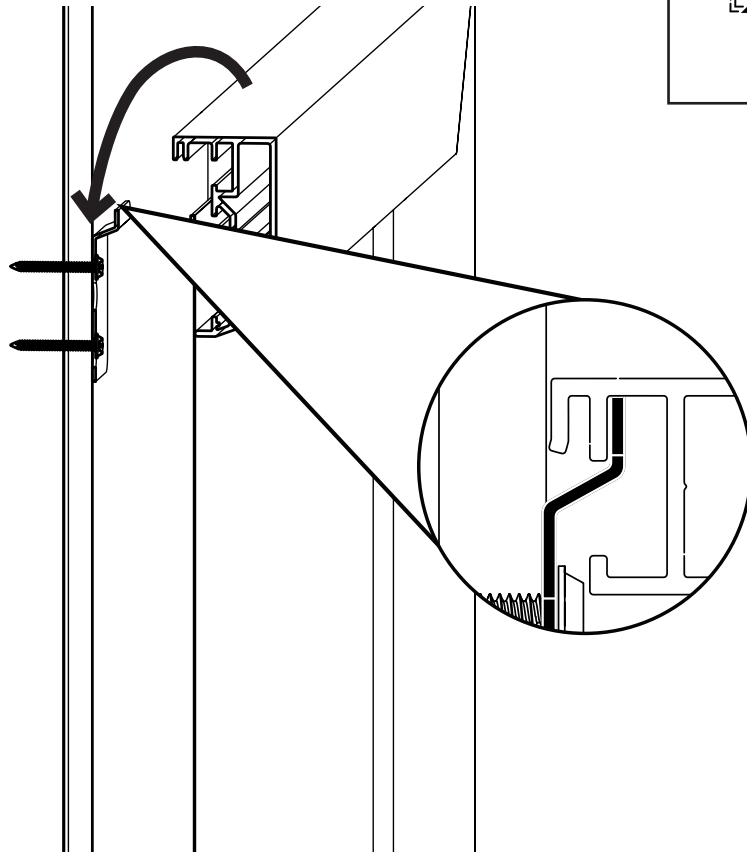
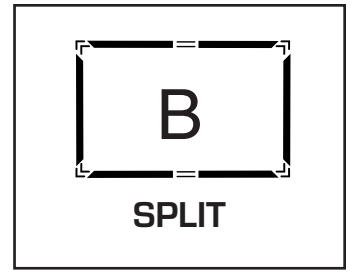
1



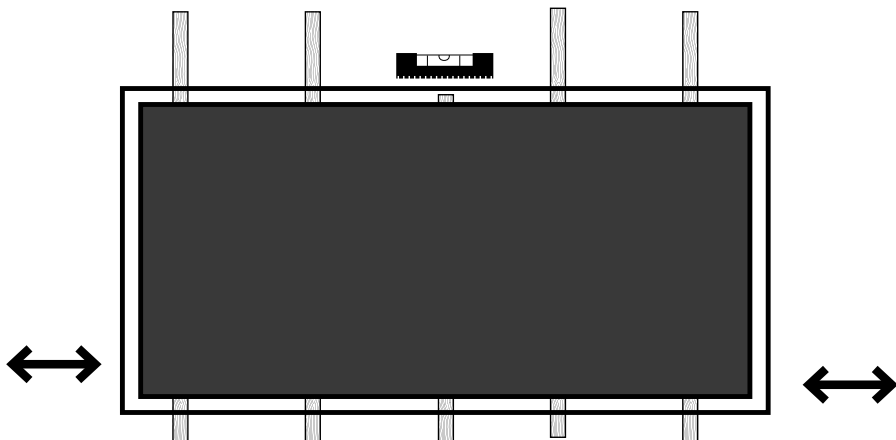
2



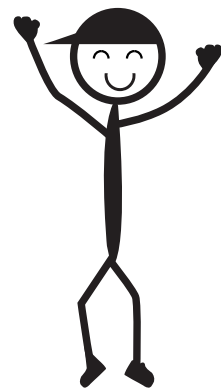
3



4



5





NOTES:

9715-B Burnet Road Suite 400, Austin, TX 78758

Tel: 512-832-6939 Fax: 512-832-6136

www.screeninnovations.com